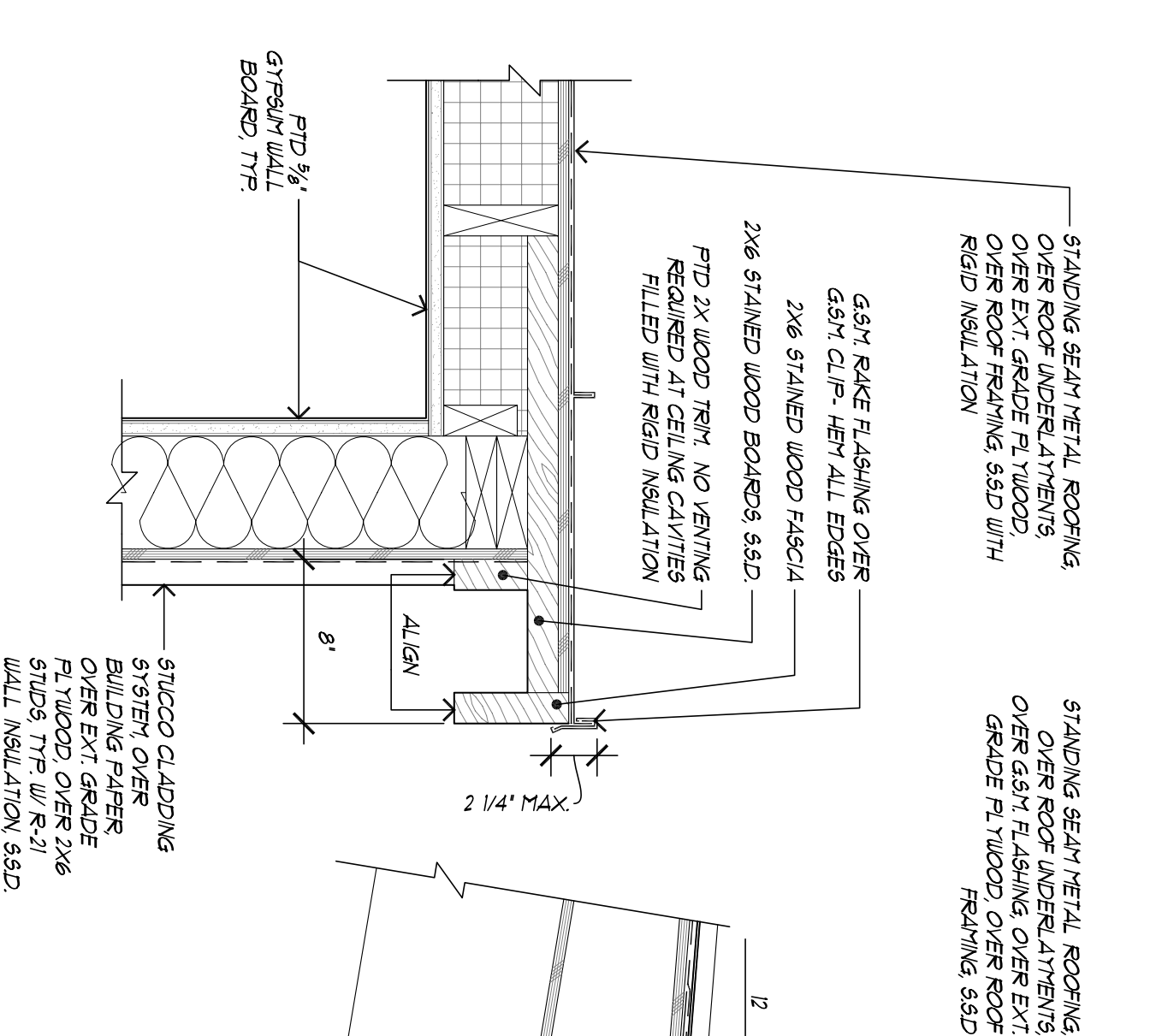
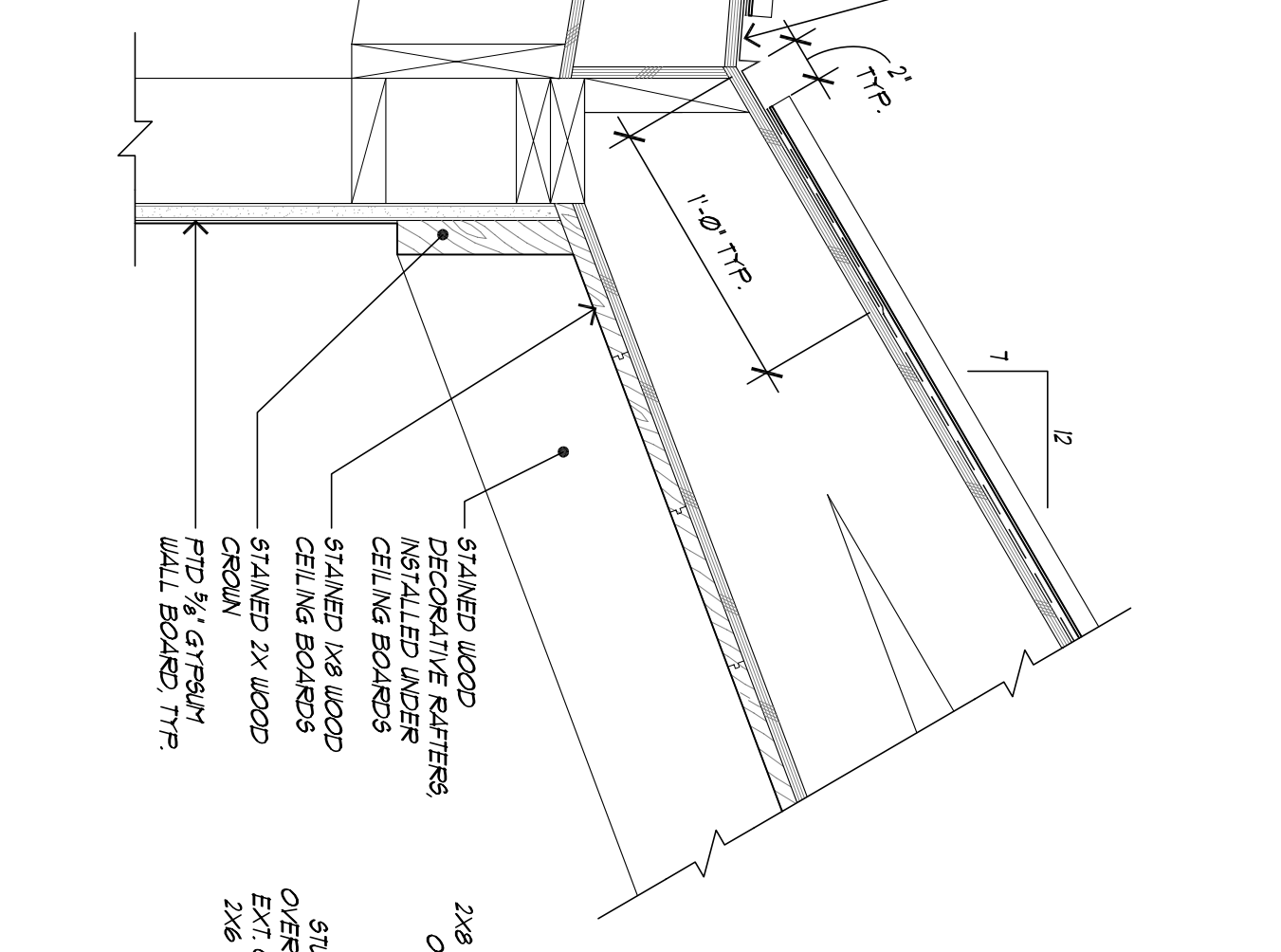


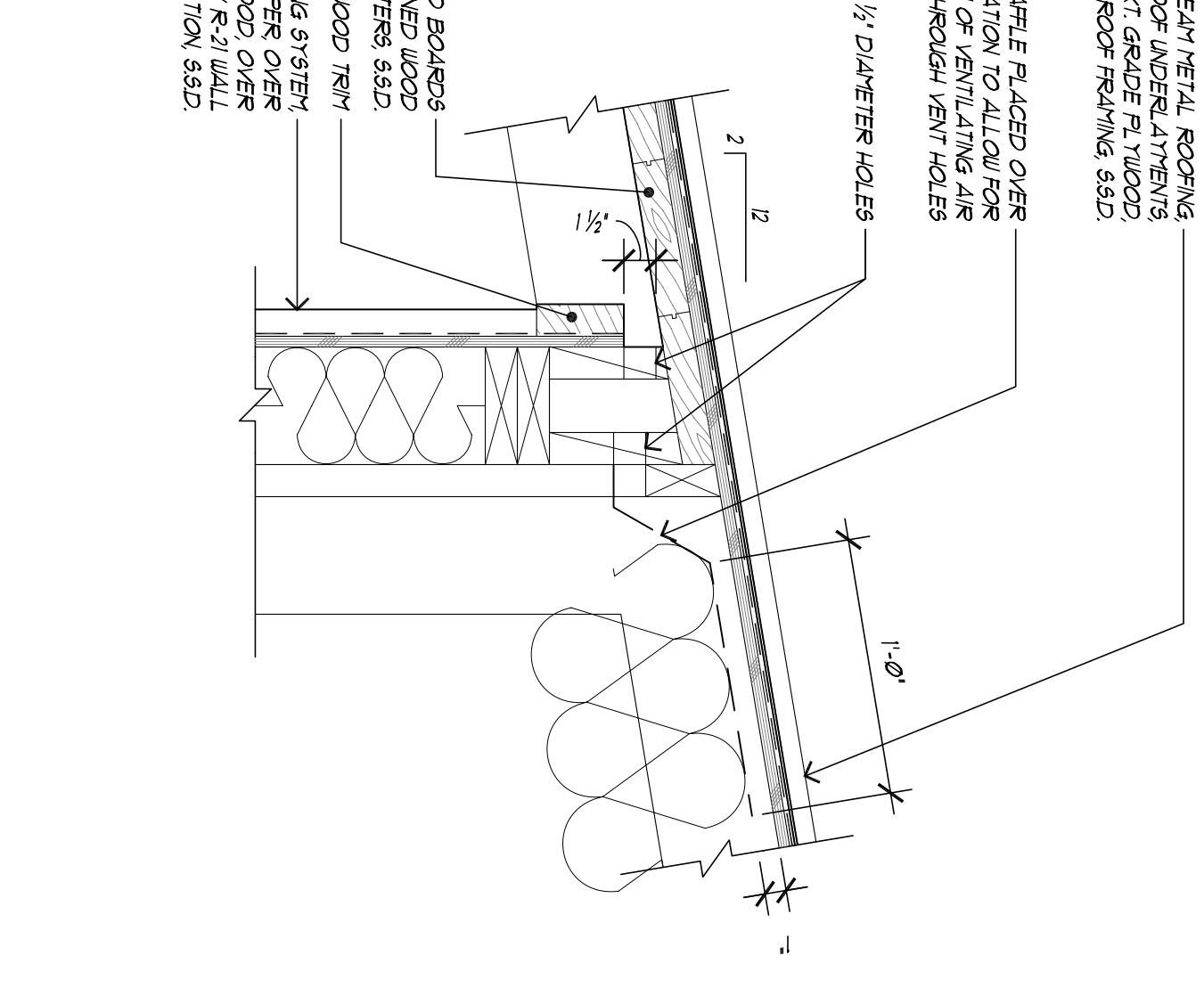
2 KITCHEN/PORCH ROOF TRANSITION
 A13 1/12"=1'-0"



3 TYPICAL 2:12 VENTED EAVE
 A13 1/12"=1'-0"



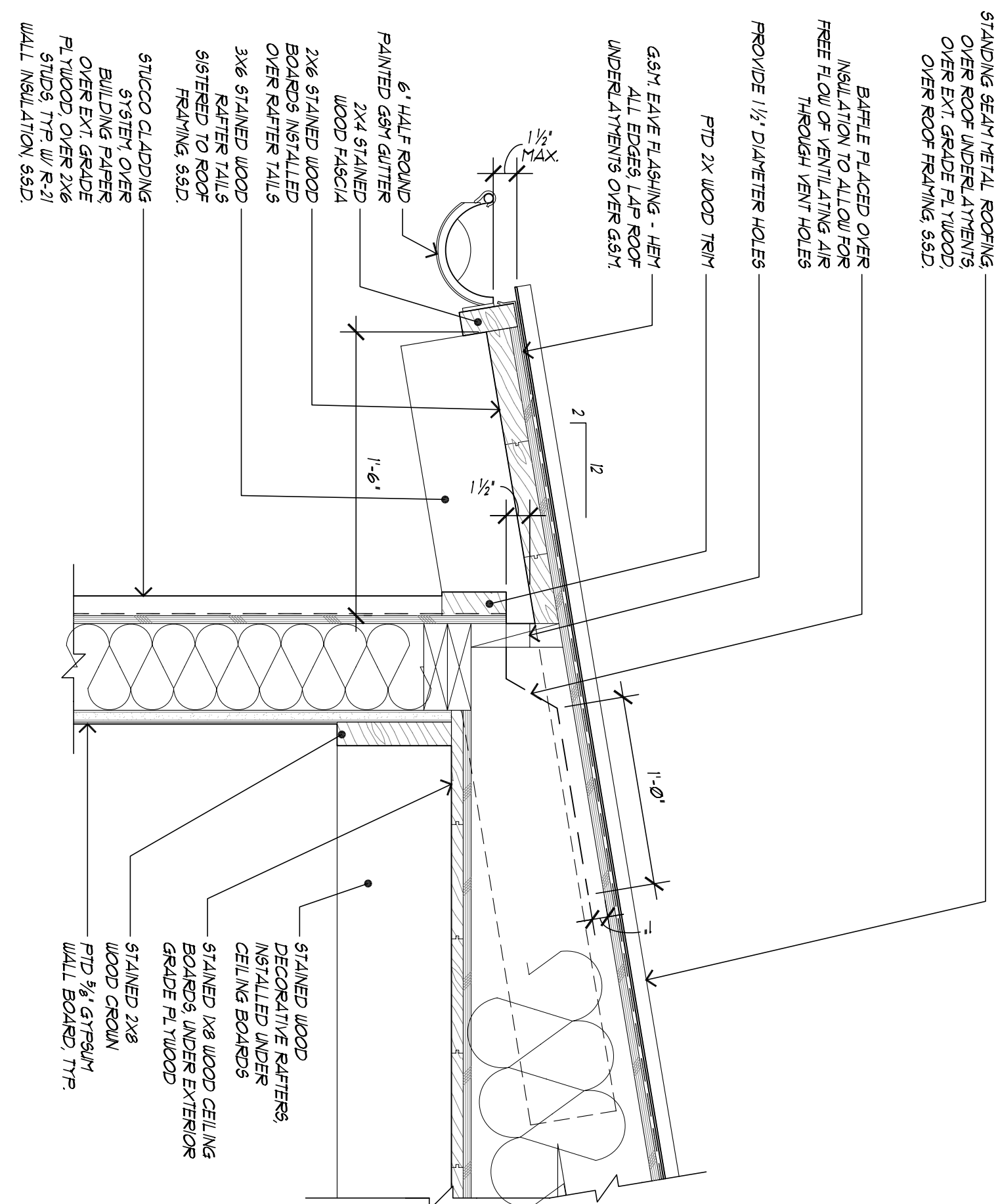
4 KITCHEN/PANTRY ROOF TRANSITION
 A13 1/12"=1'-0"



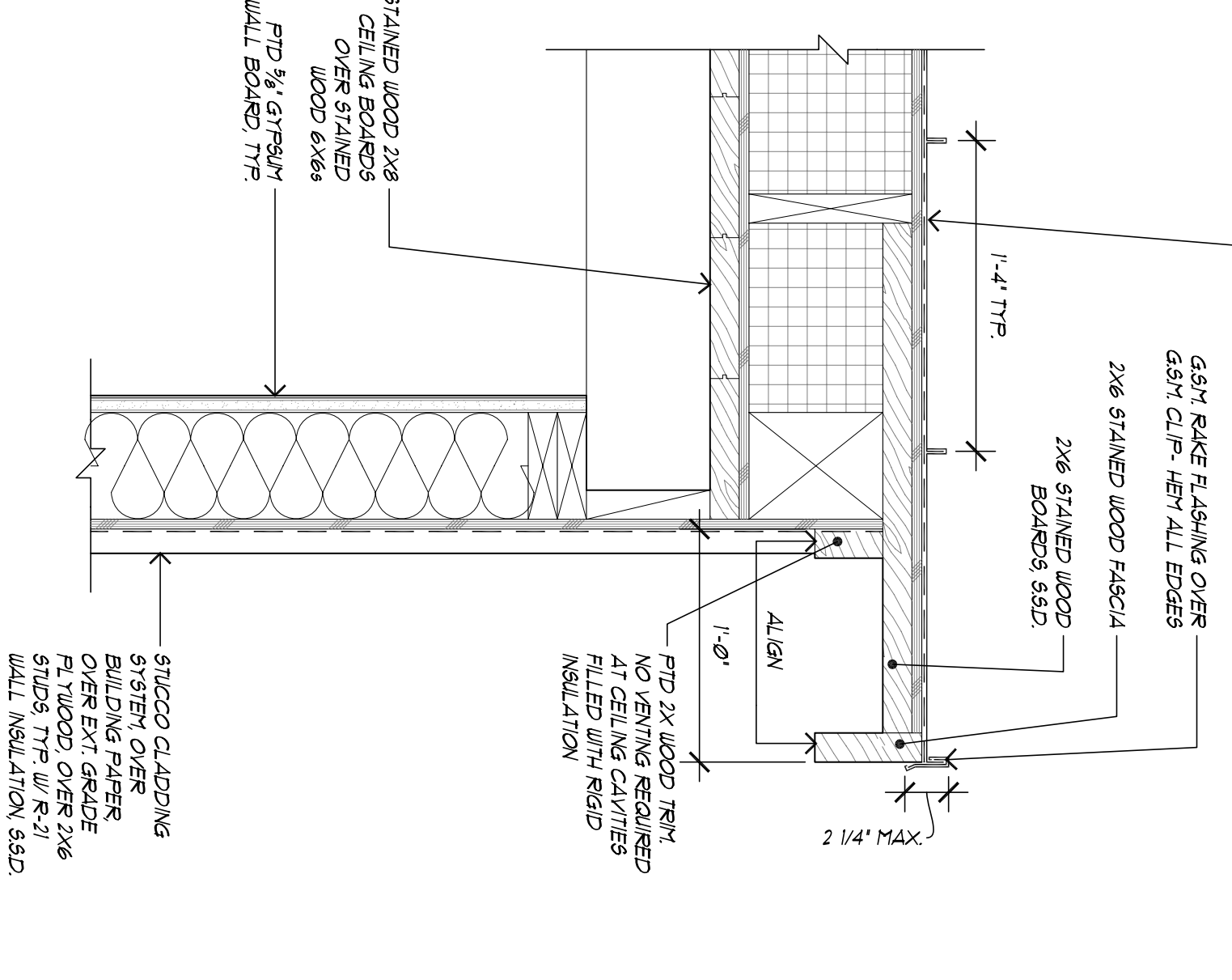
5 RAKE AT DINING ROOM
 A13 1/12"=1'-0"



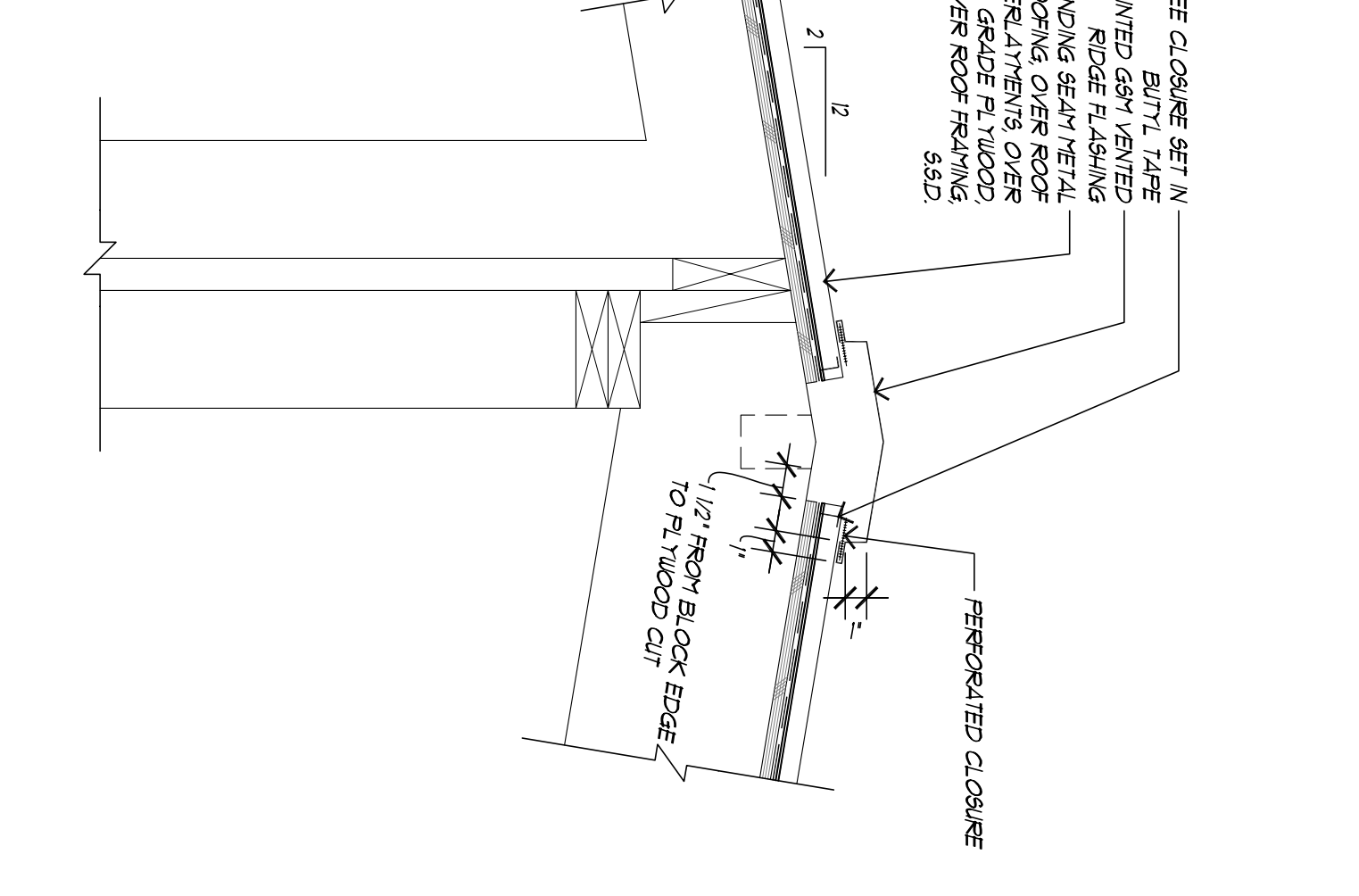
6 ENTRY PORCH/ENTRY ROOF TRANSITION
 A13 1/12"=1'-0"



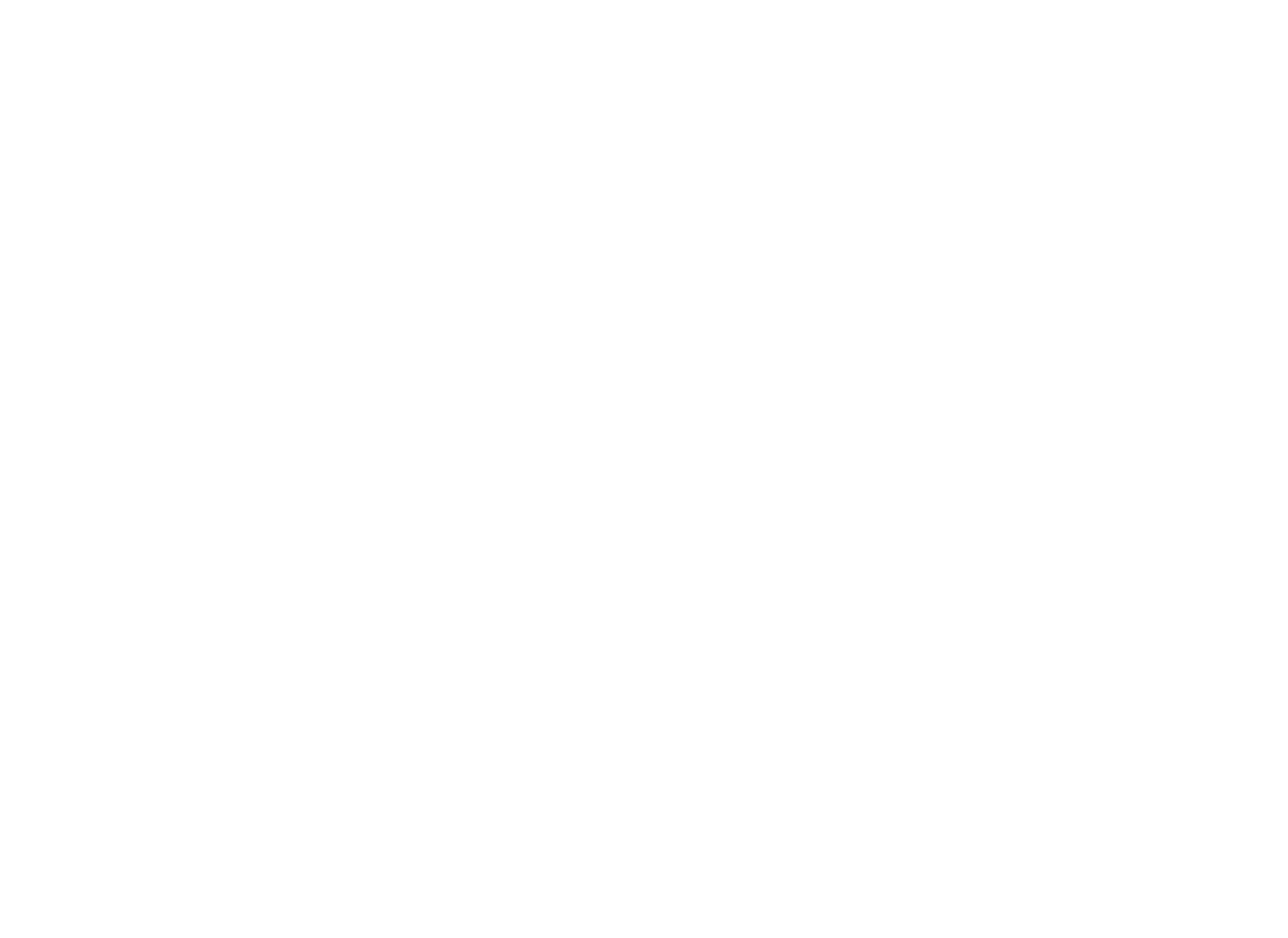
7 2:12 RIDGE (ENTRY/PANTRY)
 A13 1/12"=1'-0"



8 KITCHEN/PORCH ROOF TRANSITION
 A13 1/12"=1'-0"



9 RAKE AT HENRY'S CLOSET
 A13 1/12"=1'-0"



10 TYPICAL 2:12 VENTED EAVE
 A13 1/12"=1'-0"

These documents are the property of Wade Design. Any unauthorized use without written consent is prohibited by law. Wade Design disclaims responsibility for the documents if used in whole or in part at any other location.

WADE DESIGN ARCHITECTS
 155 Frustuck Ave. Fairfax, CA 94930
 Phone: 415.785.4213 Fax: 415.785.4214
 info@wade-design.com

HANSEL RESIDENCE
 473 Cahill Lane, Santa Rosa, California 95401

Drawn By	MO
Checked By	MO
Project No.	08013
Date	03.01.10
Issue	PERMITS DRAWING SET
Issue	REVISIONS SET
Issue	05.01.10
Issue	10.05.10
Issue	TO FIELD FOR RAINING

EXTERIOR DETAILS

SCALE : 1/12"=1'-0"

A7.3