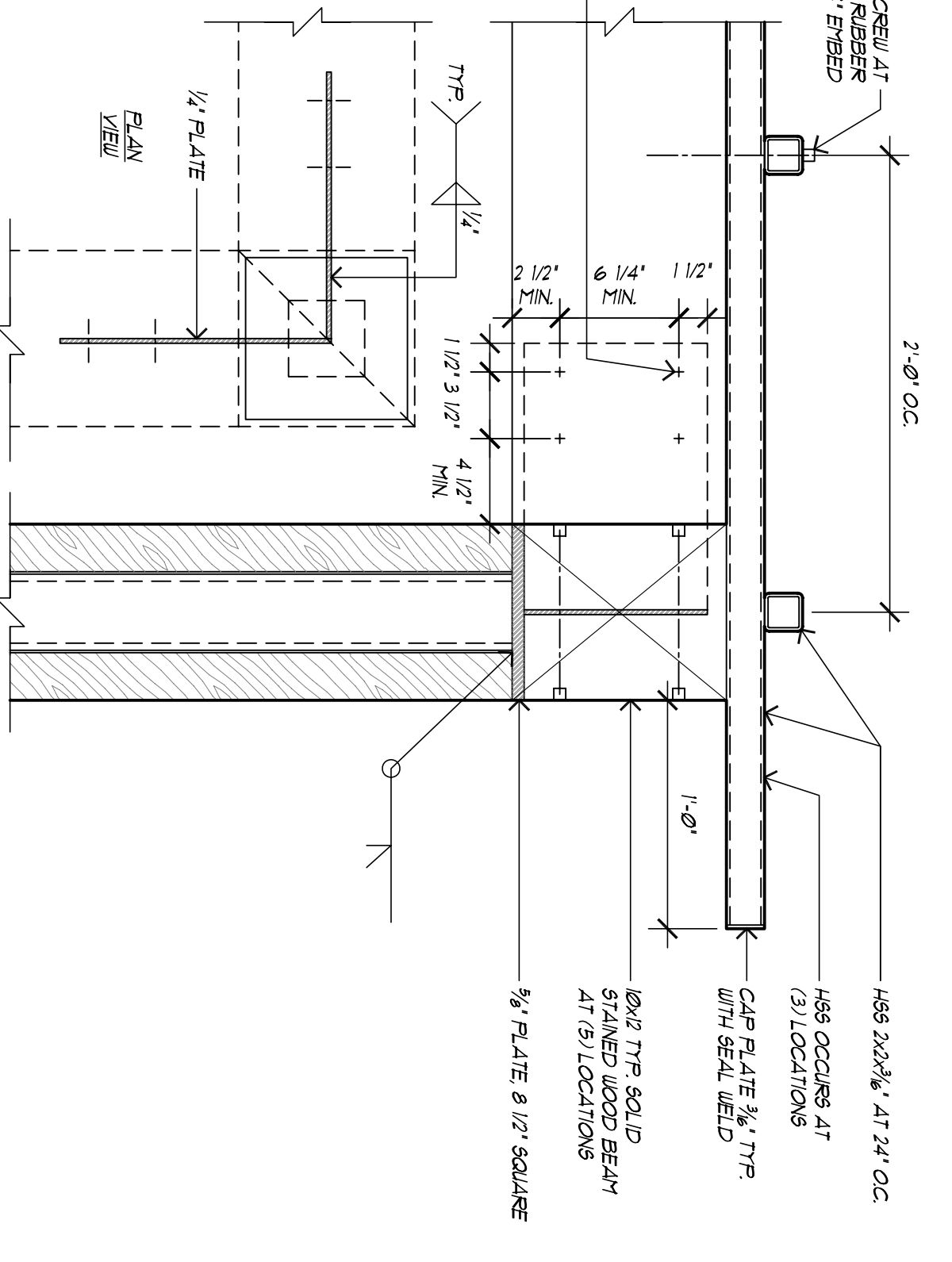
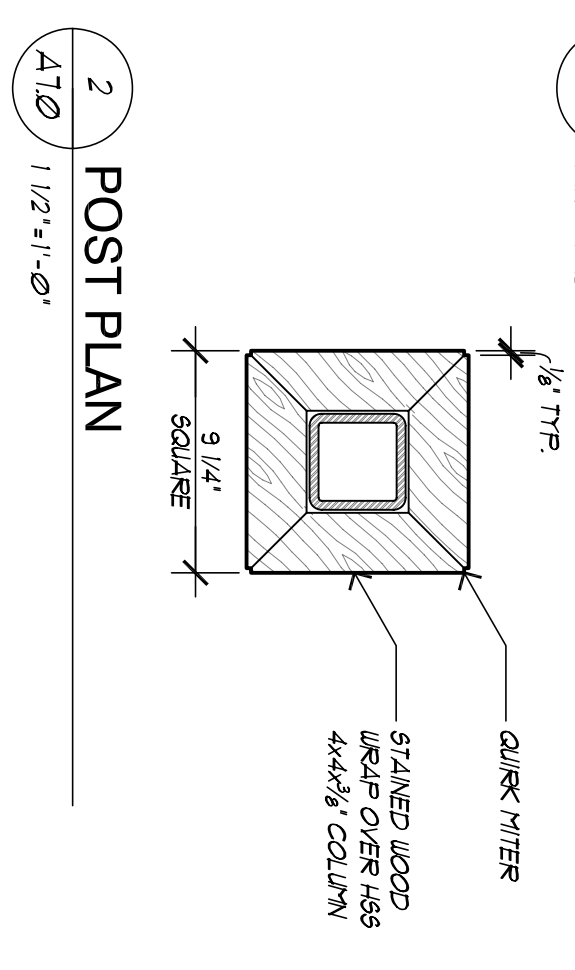


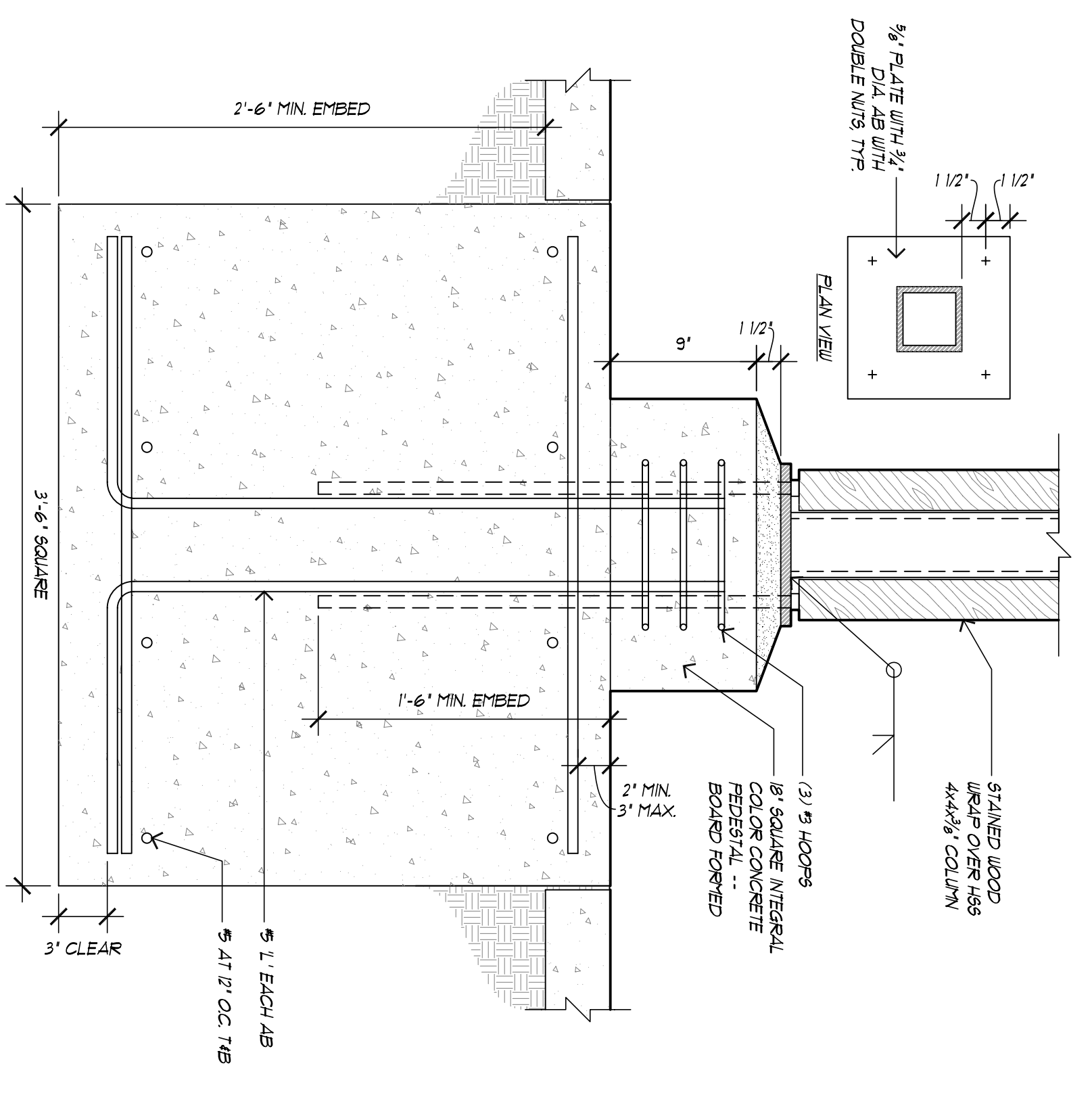
4 CONNECTION AT INTERMEDIATE BEAM  
A10 / 1/2"=1'-0"



3 TOP OF POST  
A10 / 1/2"=1'-0"



2 POST PLAN  
A10 / 1/2"=1'-0"



1 BASE OF POST AT TRELLIS  
A10 / 1/2"=1'-0"

These documents are the property of Wade Design.  
Any unauthorized use without written consent is prohibited by law.  
Wade Design disclaims responsibility for the documents if used in whole or in part at any other location.

**WADE DESIGN ARCHITECTS**  
155 Frustuck Ave. Fairfax, CA 94930  
Phone: 415.785.4213 Fax: 415.785.4214  
info@wade-design.com

**HANSEL RESIDENCE**  
473 Cahill Lane, Santa Rosa, California 95401

Drawn By	MO
Checked By	MO
Project No.	08013
Date	05.01.10
Issue	PERMITS PREPARED SET
Drawn By	MO
Checked By	MO
Project No.	08013
Date	05.01.10
Issue	PERMITS PREPARED SET

EXTERIOR DETAILS  
SCALE : 1/2"=1'-0"

**A7.0**