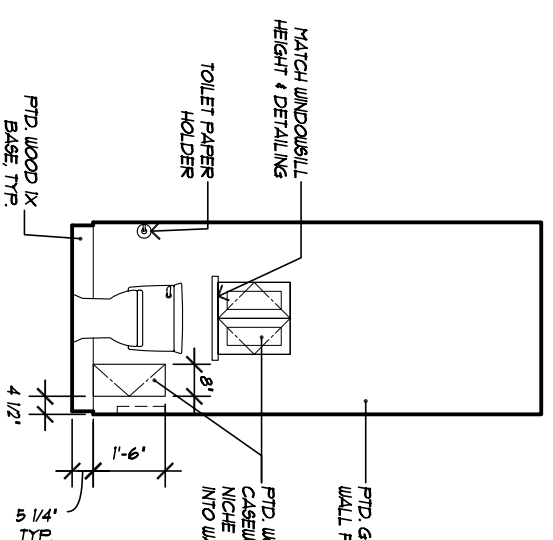
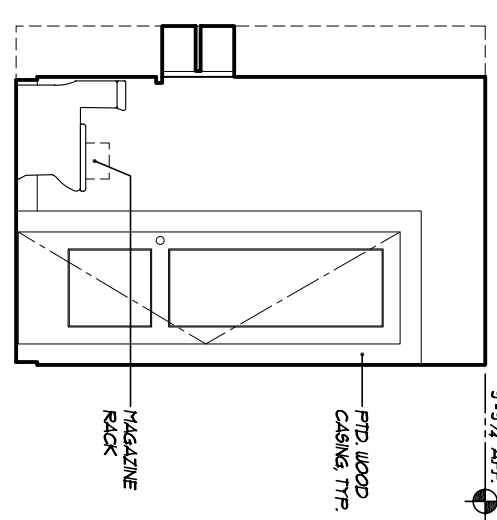


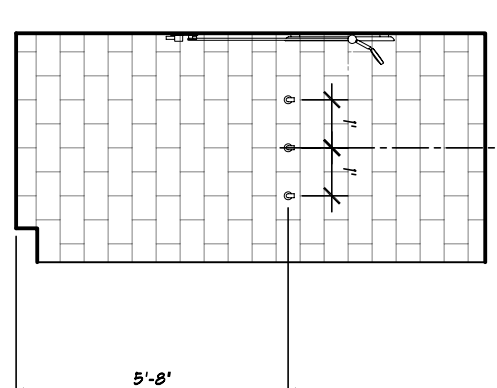
23 MASTER WC SOUTH
A55 1/4"=1'-0"



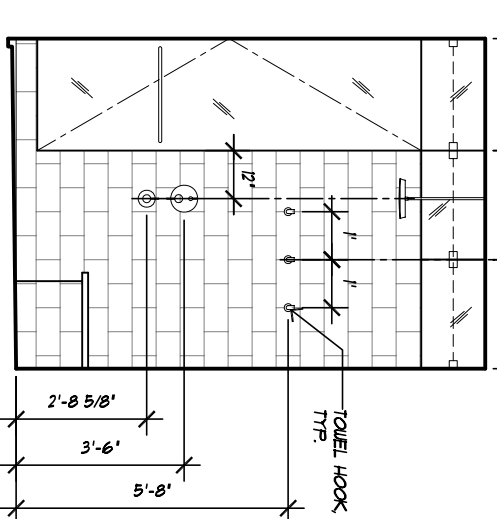
22 MASTER WC WEST
A55 1/4"=1'-0"



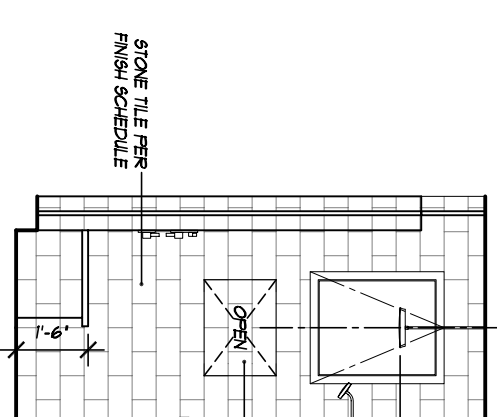
21 MASTER WC NORTH
A55 1/4"=1'-0"



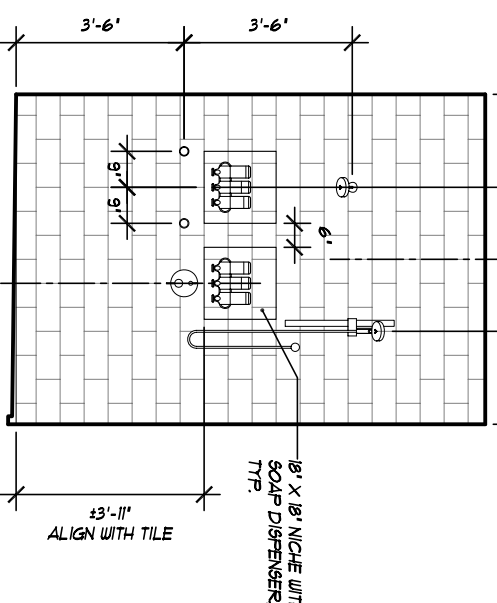
20 MASTER SHOWER EAST
A55 1/4"=1'-0"



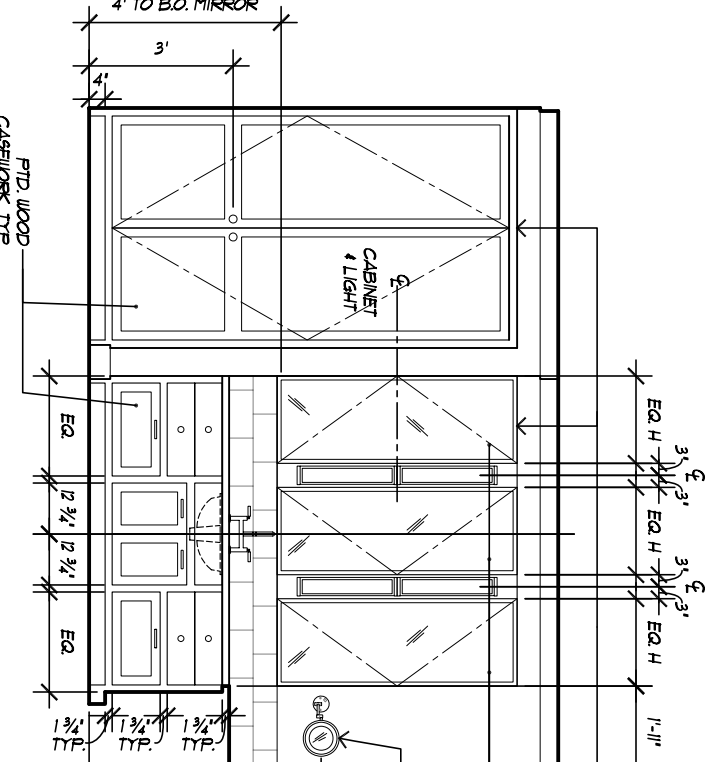
19 MASTER SHOWER SOUTH
A55 1/4"=1'-0"



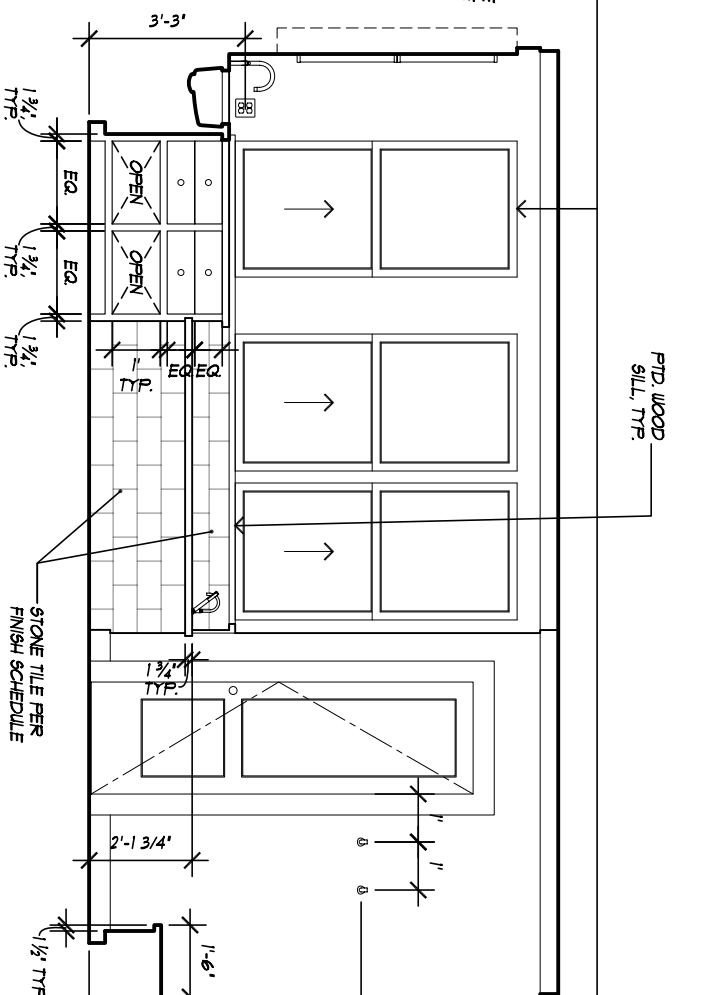
18 MASTER SHOWER WEST
A55 1/4"=1'-0"



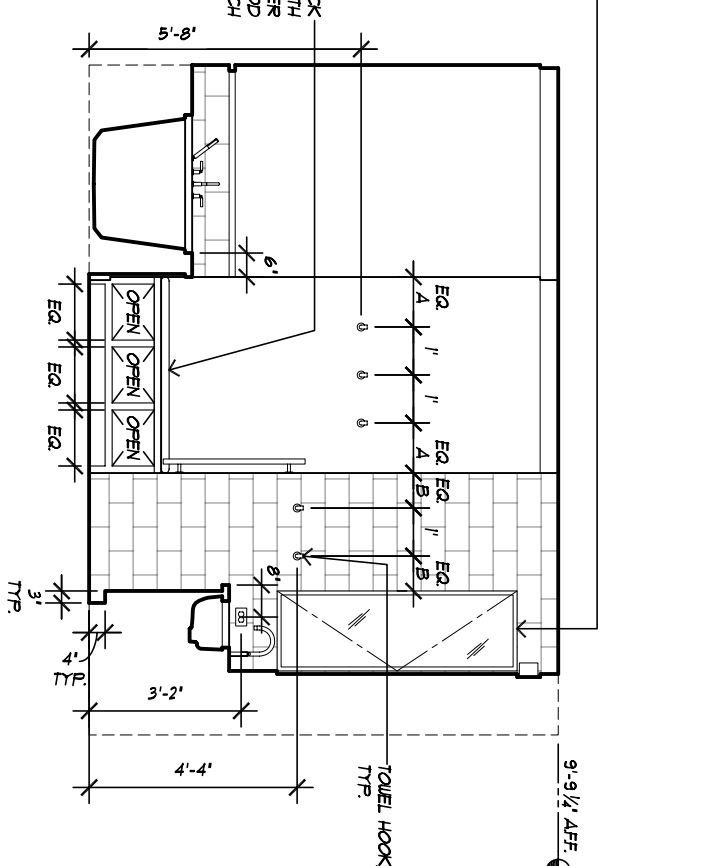
17 MASTER SHOWER NORTH
A55 1/4"=1'-0"



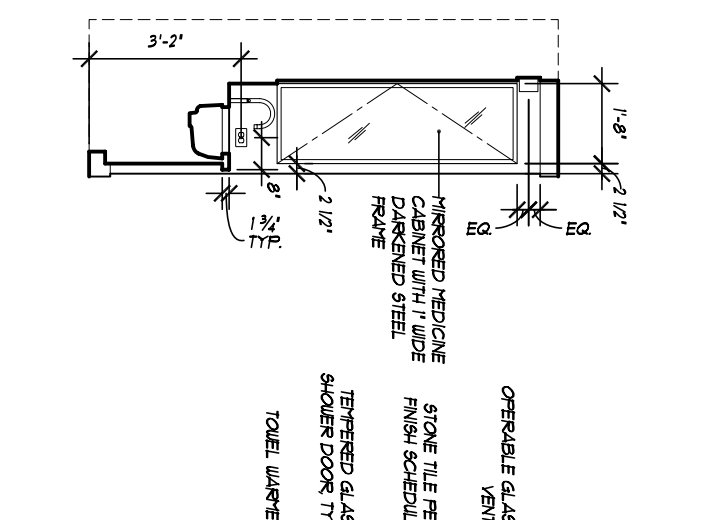
16 MASTER BATH EAST
A55 1/4"=1'-0"



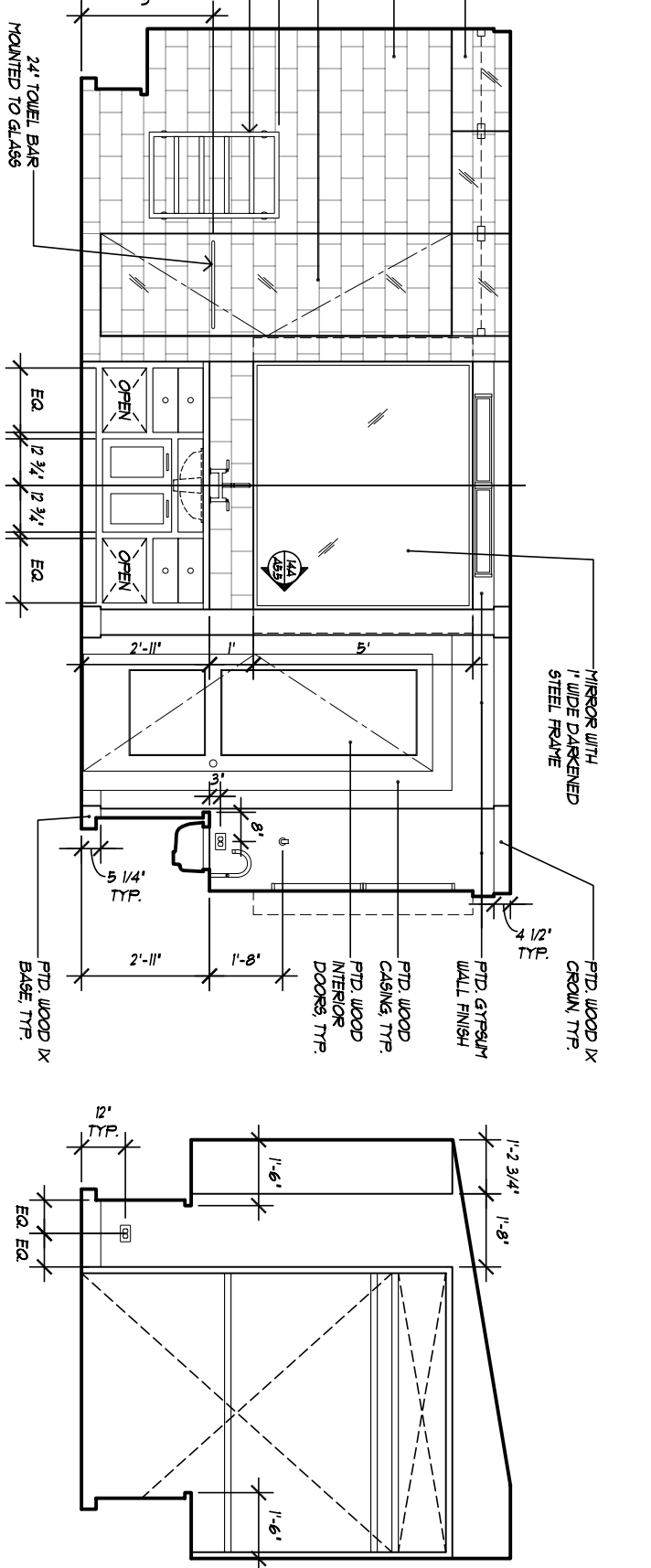
15 MASTER BATH SOUTH
A55 1/4"=1'-0"



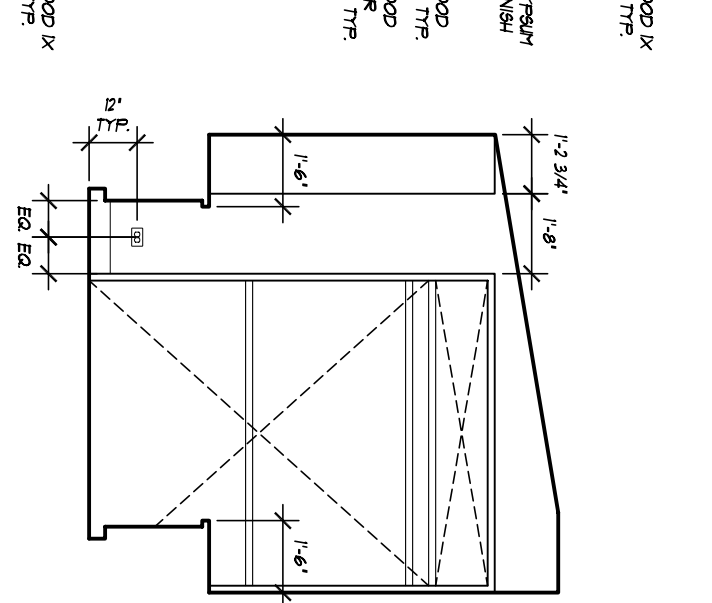
14 MASTER BATH WEST
A55 1/4"=1'-0"



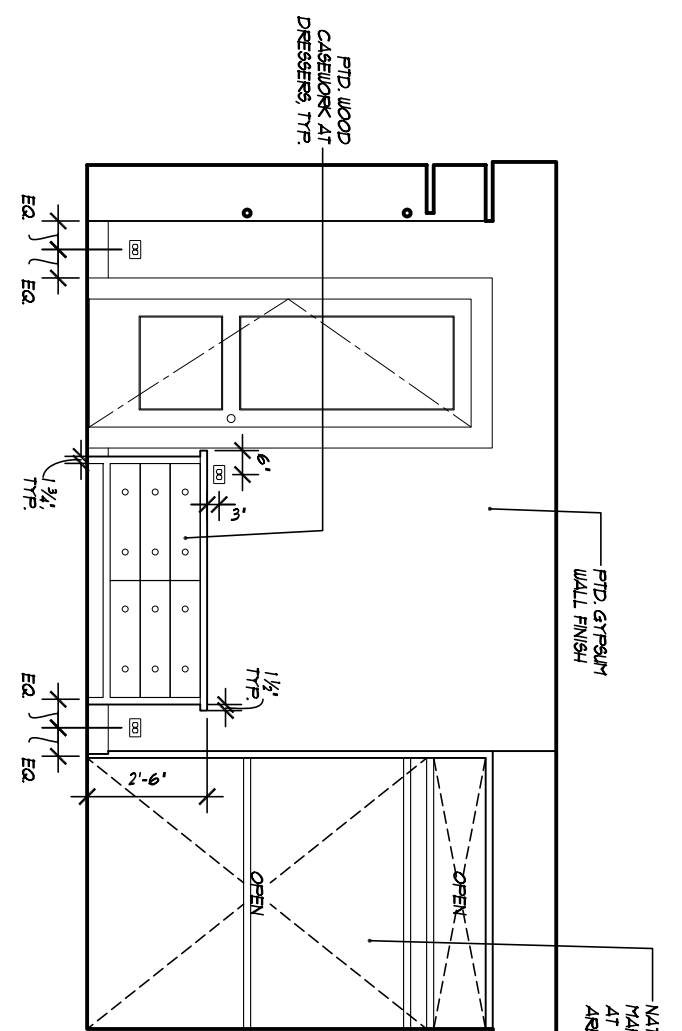
14A HENRY'S VANITY EAST
A55 1/4"=1'-0"



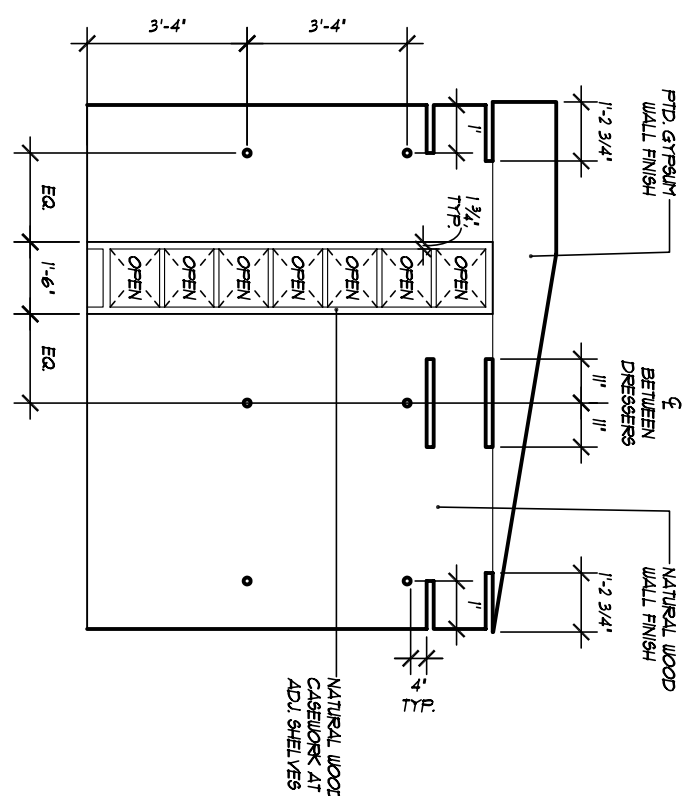
13 MASTER BATH NORTH
A55 1/4"=1'-0"



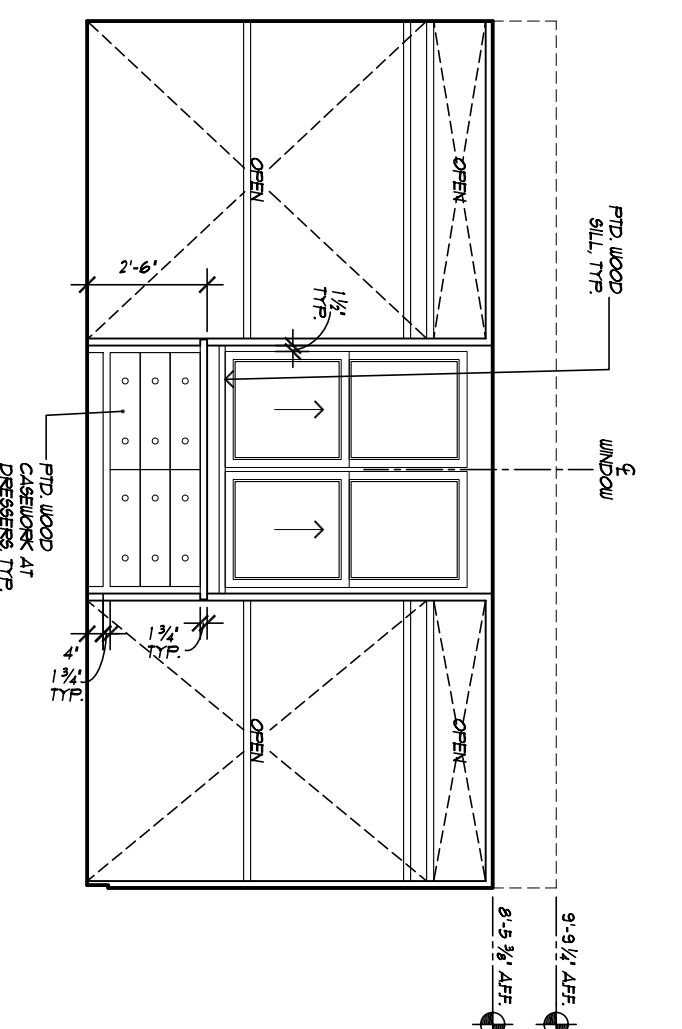
12 MARILYN'S CLOSET EAST
A55 1/4"=1'-0"



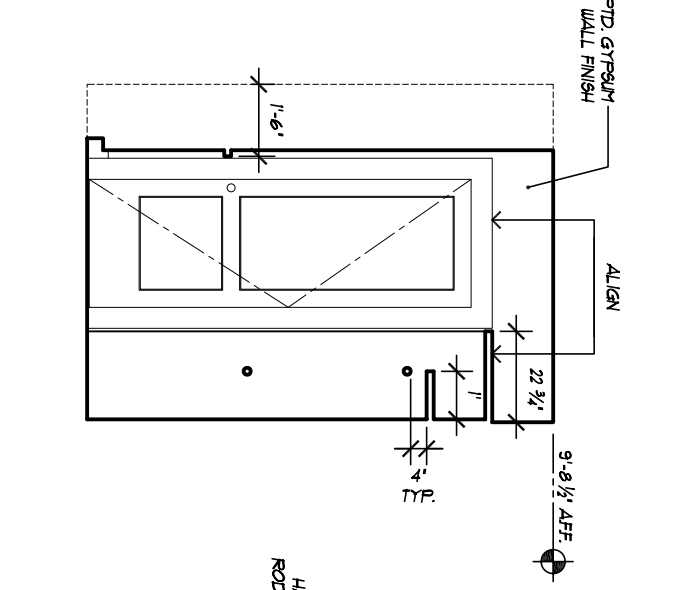
11 MARILYN'S CLOSET SOUTH
A55 1/4"=1'-0"



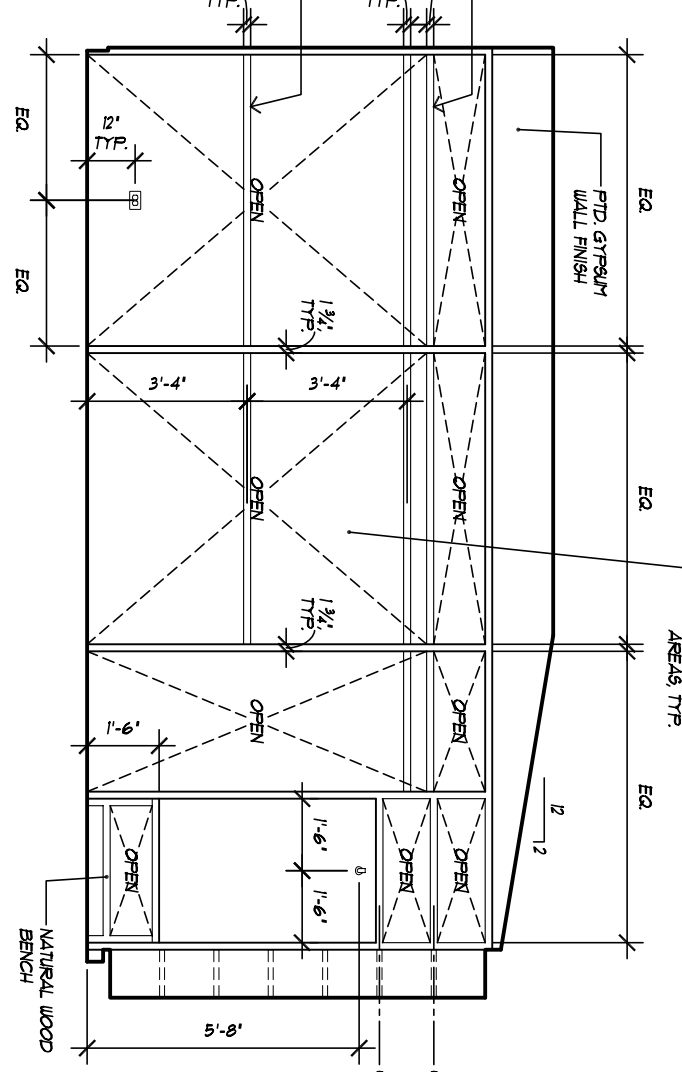
10 MARILYN'S CLOSET WEST
A55 1/4"=1'-0"



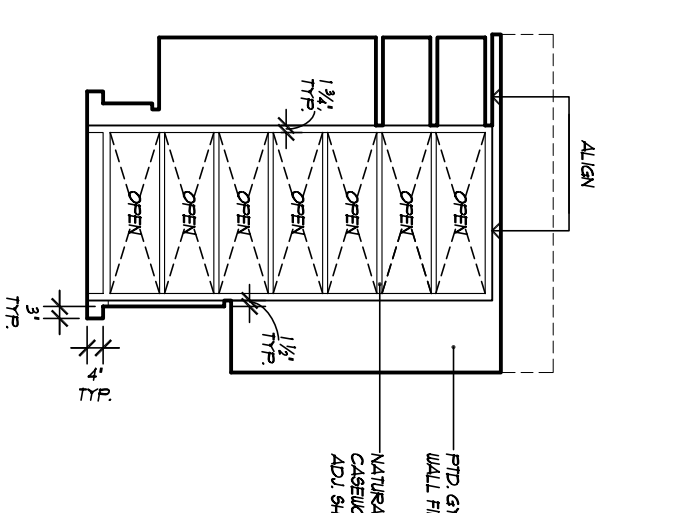
9 MARILYN'S CLOSET NORTH
A55 1/4"=1'-0"



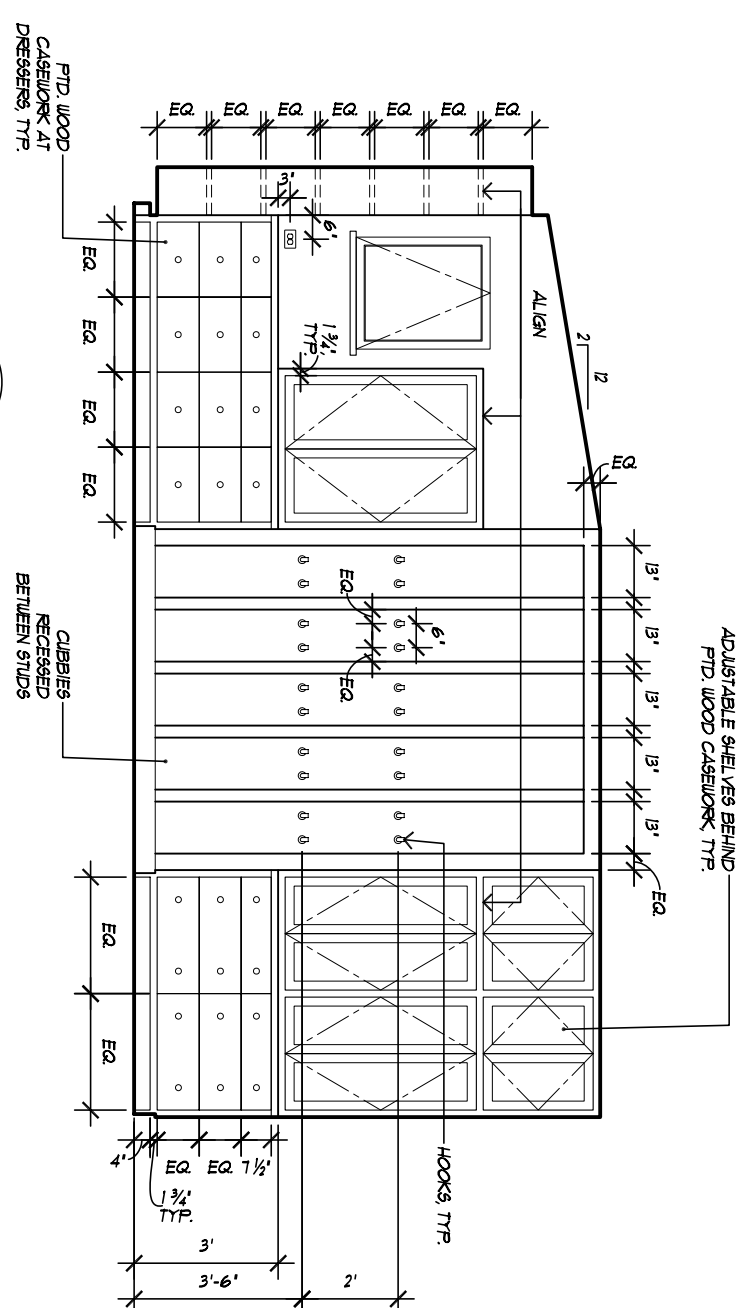
8 HENRY'S CLOSET EAST
A55 1/4"=1'-0"



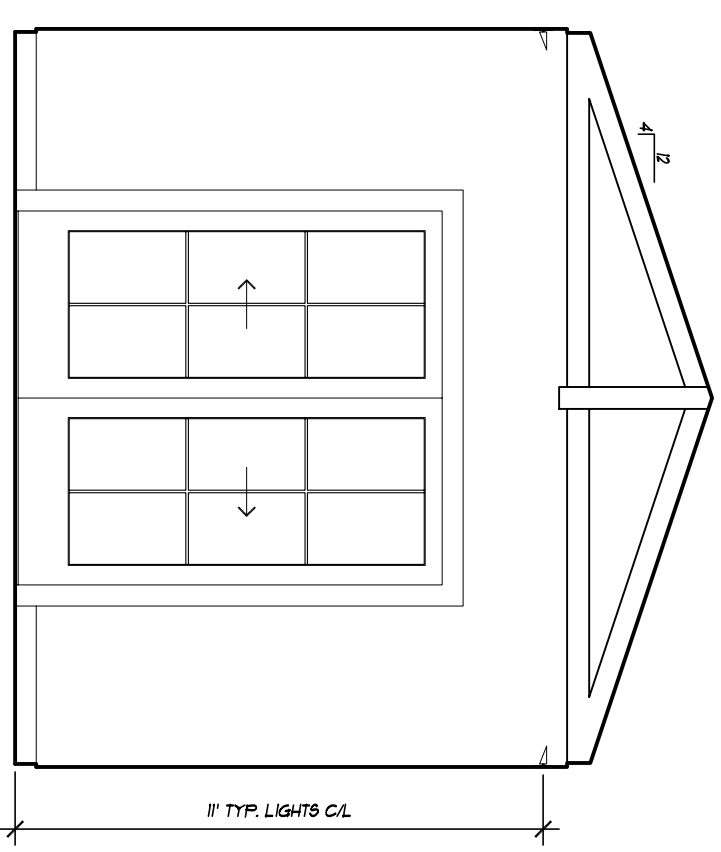
7 HENRY'S CLOSET SOUTH
A55 1/4"=1'-0"



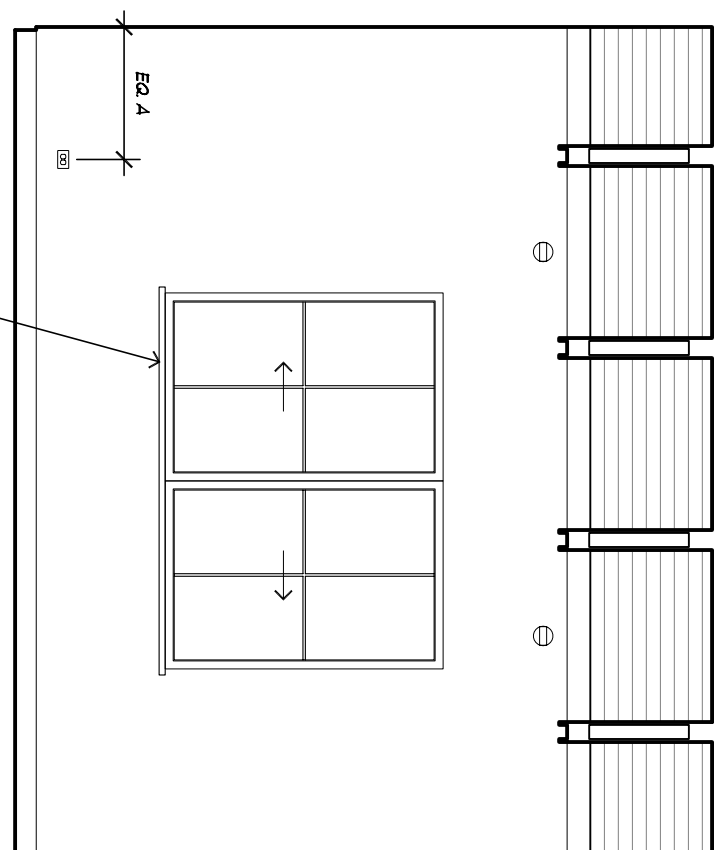
6 HENRY'S CLOSET WEST
A55 1/4"=1'-0"



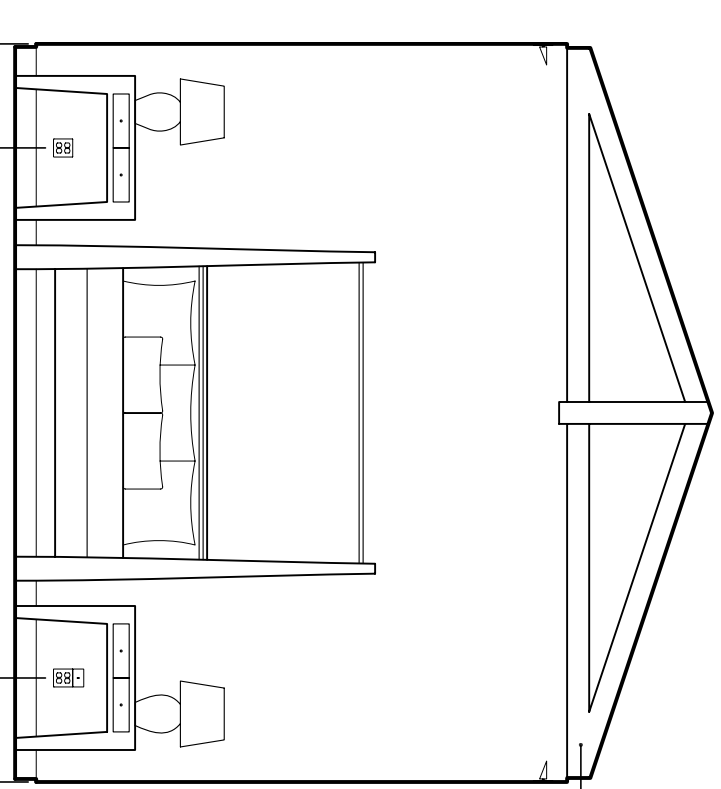
5 HENRY'S CLOSET NORTH
A55 1/4"=1'-0"



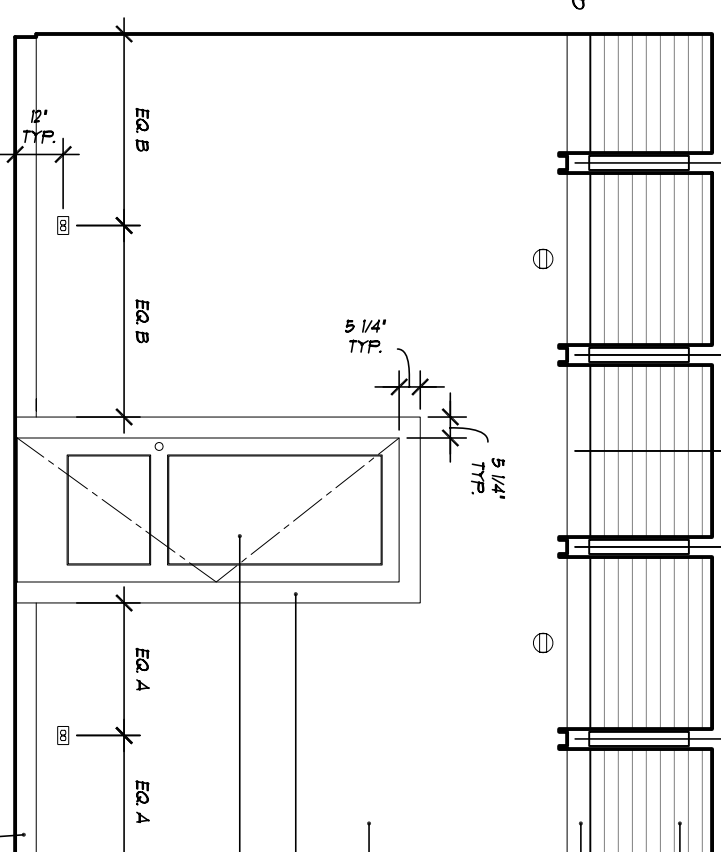
4 MASTER BEDROOM EAST
A55 1/4"=1'-0"



3 MASTER BEDROOM SOUTH
A55 1/4"=1'-0"



2 MASTER BEDROOM WEST
A55 1/4"=1'-0"



1 MASTER BEDROOM NORTH
A55 1/4"=1'-0"

A5.5

SCALE: 1/4"=1'-0"
INTERIOR ELEVATIONS

Drawn By: MO
Checked By: MO
Project No.: 08013
Date: 10.13.10
Issue FOR PERMITS ONLY

HANSEL RESIDENCE

473 Cahill Lane, Santa Rosa, California 95401

WADE DESIGN ARCHITECTS

155 Frustuck Ave. Fairfax, CA 94930
Phone: 415.785.4213 Fax: 415.785.4214
info@wade-design.com

These documents are the property of Wade Design.

Any unauthorized use without written consent is prohibited by law.

Wade Design disclaims responsibility for the documents if used in whole or in part at any other location.