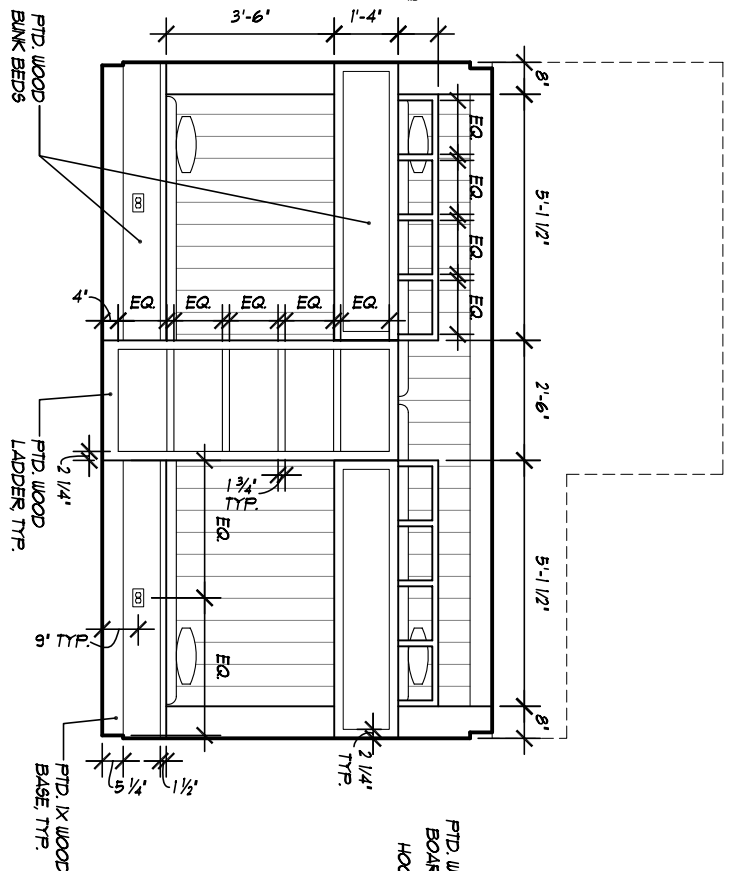
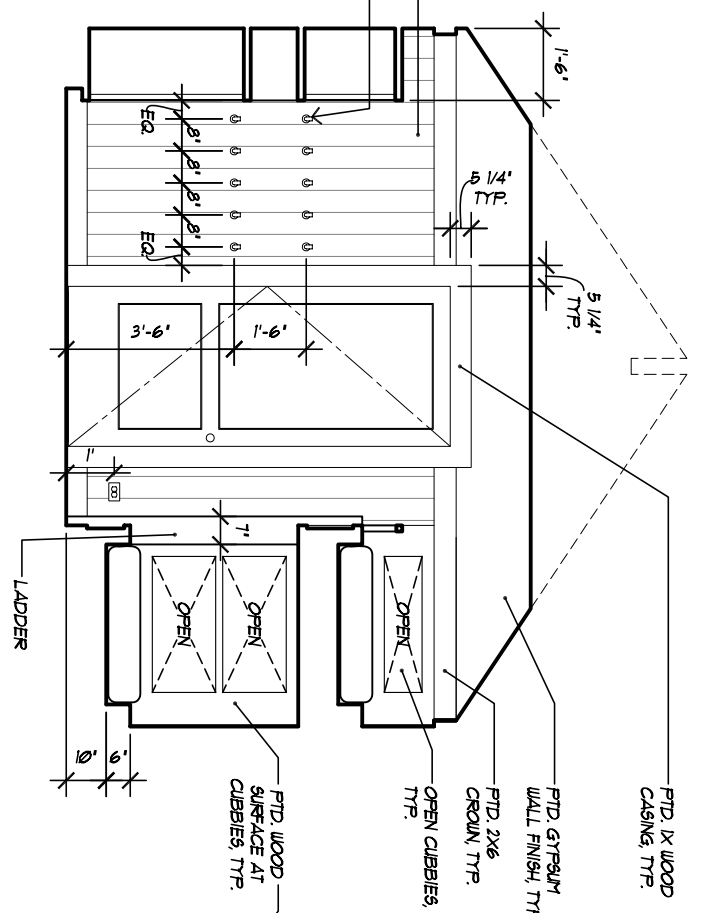


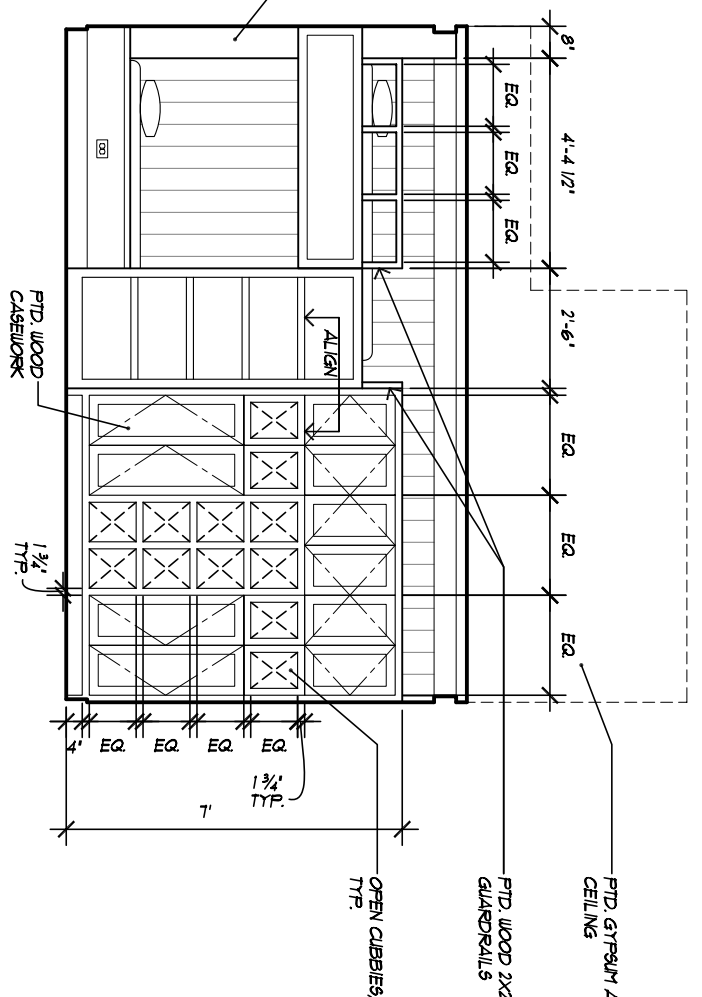
21 BUNK ROOM EAST  
A5.4 1/4"=1'-0"



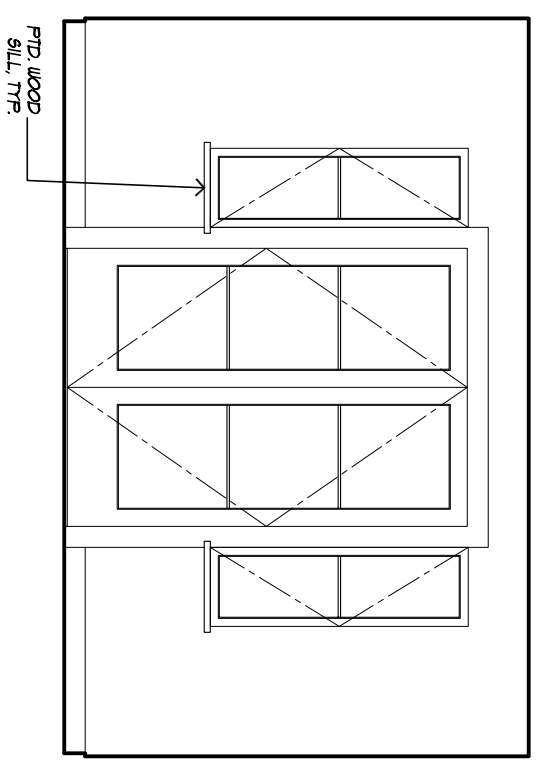
20 BUNK ROOM NORTH  
A5.4 1/4"=1'-0"



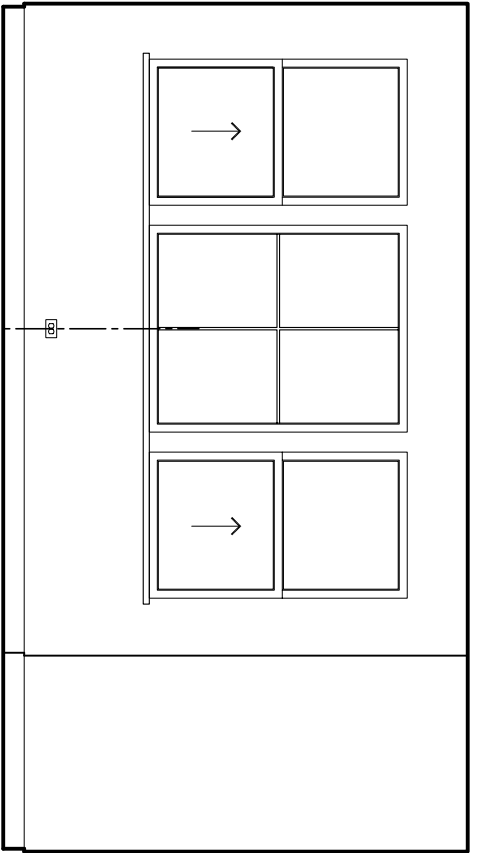
19 BUNK ROOM WEST  
A5.4 1/4"=1'-0"



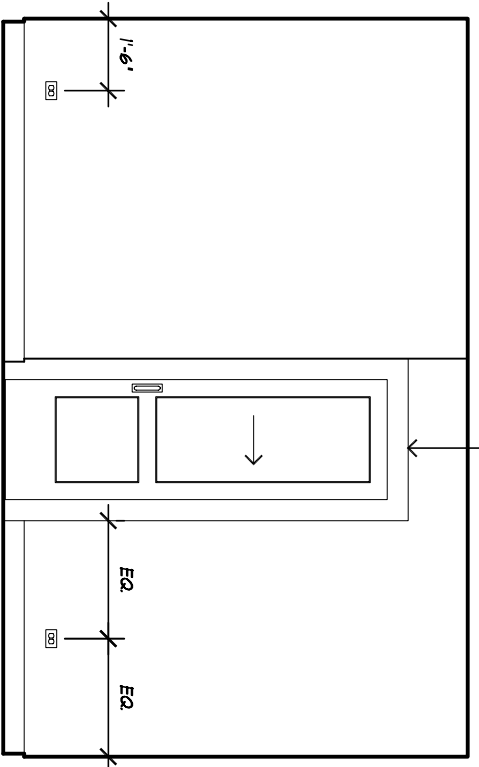
18 BUNK ROOM SOUTH  
A5.4 1/4"=1'-0"



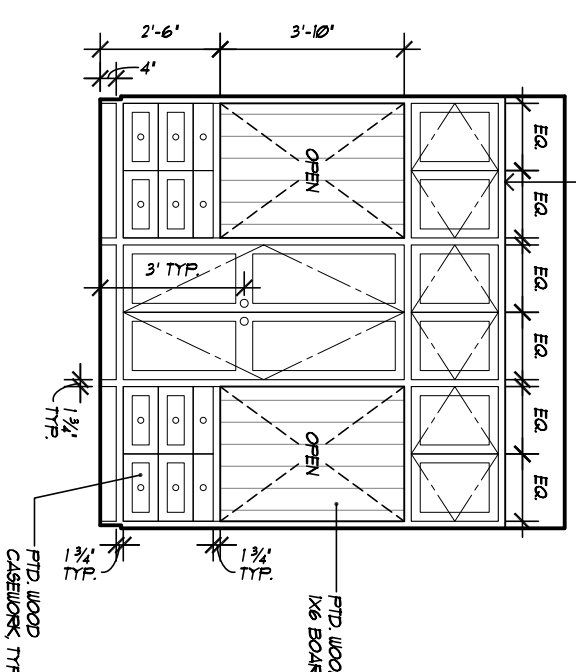
17 BEDROOM #4 EAST  
A5.4 1/4"=1'-0"



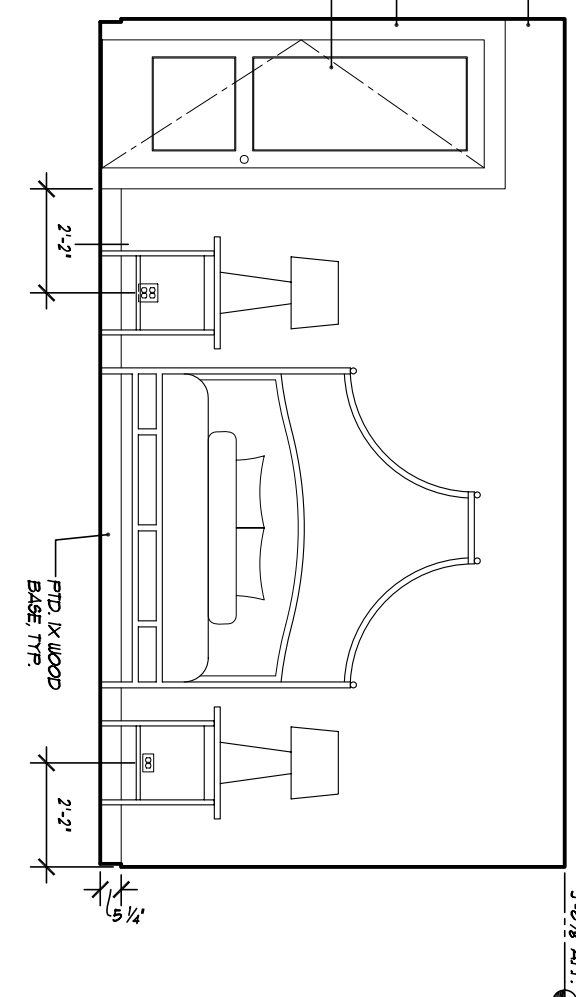
16 BEDROOM #4 SOUTH  
A5.4 1/4"=1'-0"



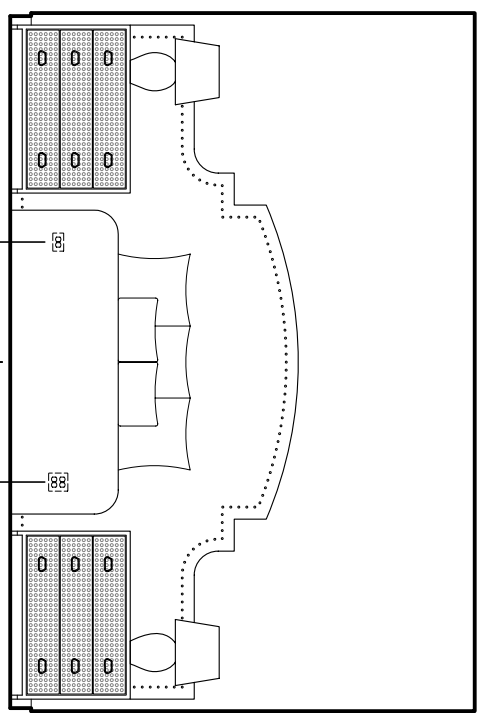
15 BEDROOM #4 WEST  
A5.4 1/4"=1'-0"



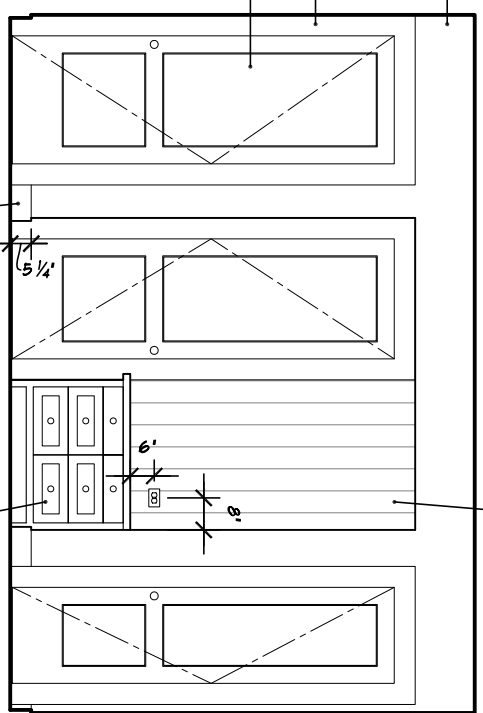
14 CLOSET #4 NORTH  
A5.4 1/4"=1'-0"



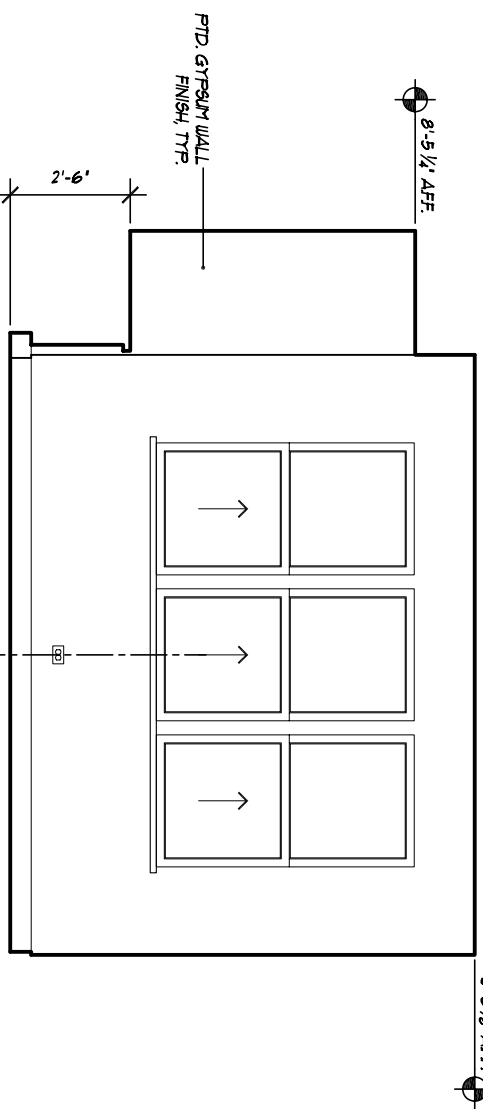
13 BEDROOM #4 NORTH  
A5.4 1/4"=1'-0"



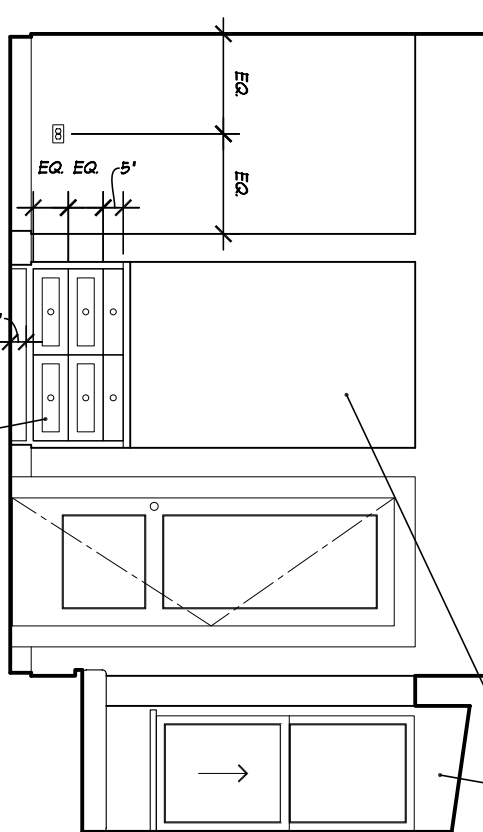
12 BEDROOM #3 EAST  
A5.4 1/4"=1'-0"



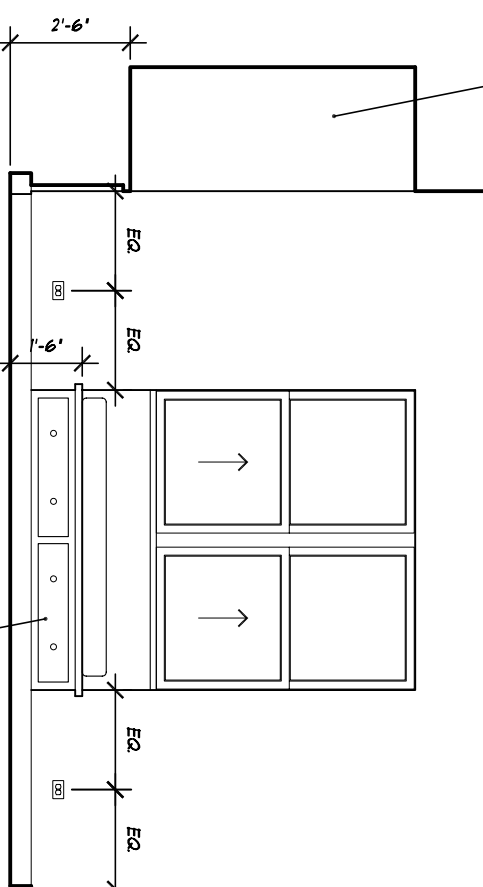
11 BEDROOM #3 WEST  
A5.4 1/4"=1'-0"



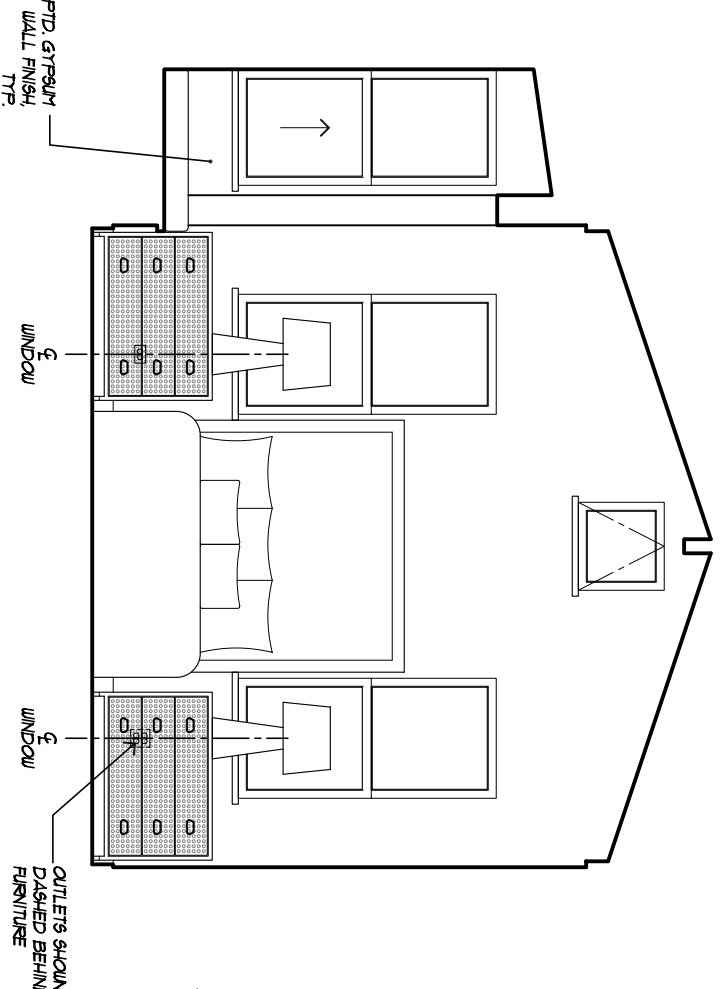
10 BEDROOM #3 NORTH  
A5.4 1/4"=1'-0"



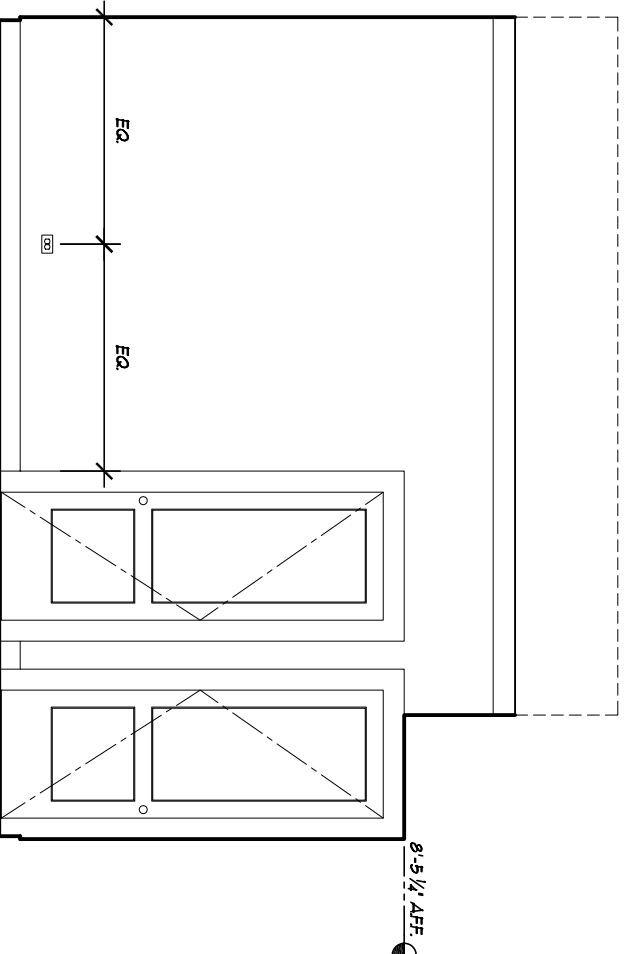
9 BEDROOM #2 SOUTHEAST  
A5.4 1/4"=1'-0"



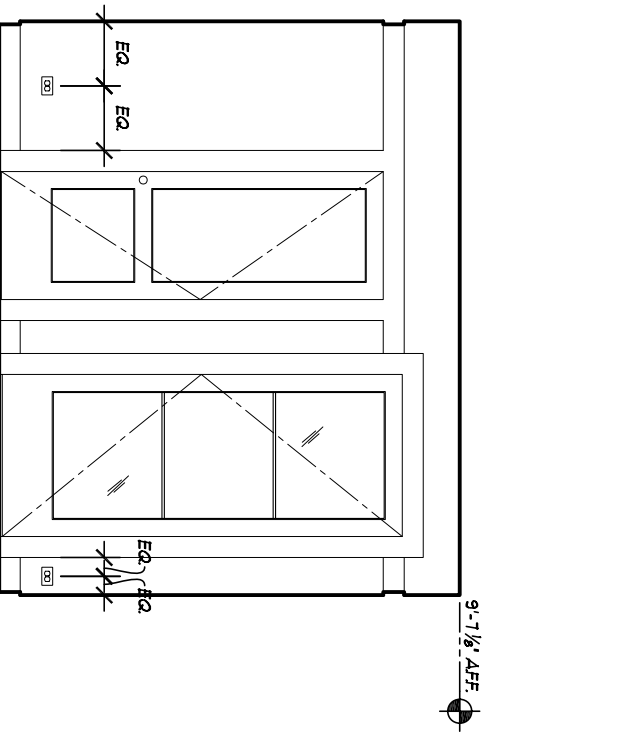
8 BEDROOM #2 SOUTHWEST  
A5.4 1/4"=1'-0"



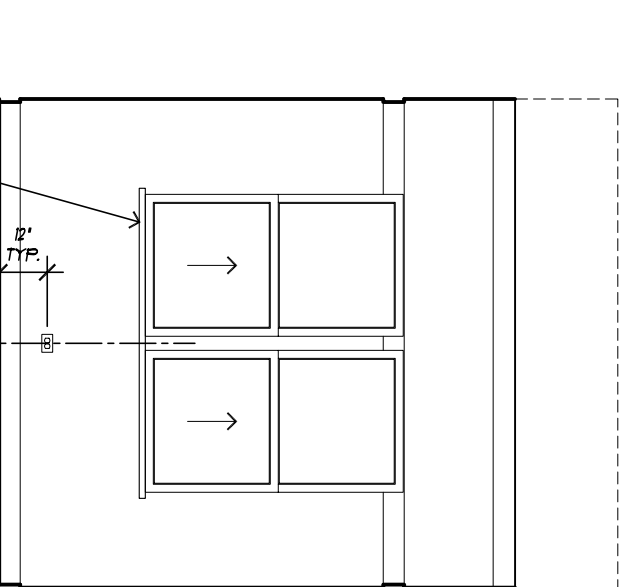
7 BEDROOM #2 NORTHWEST  
A5.4 1/4"=1'-0"



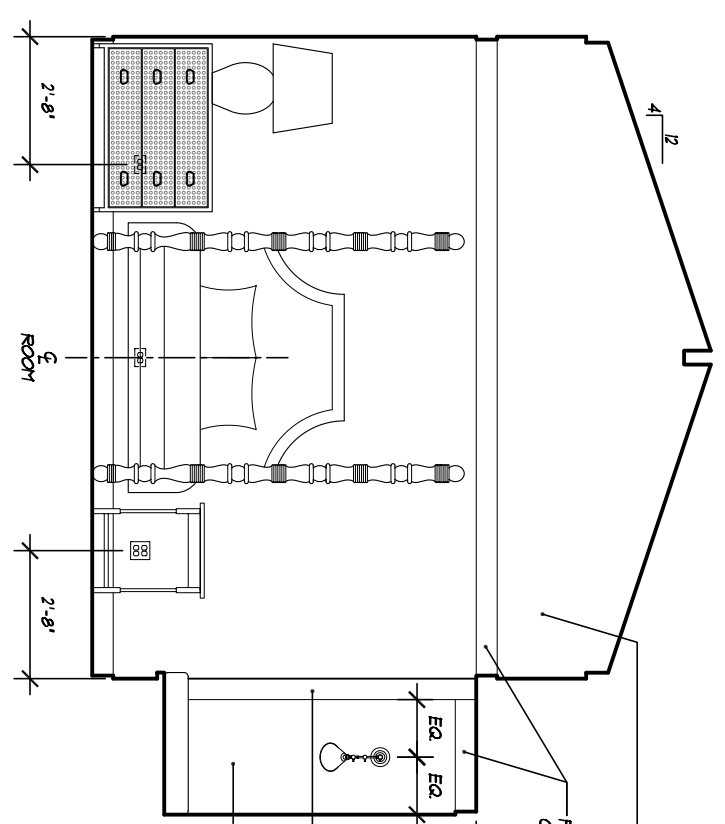
6 BEDROOM #2 NORTHEAST  
A5.4 1/4"=1'-0"



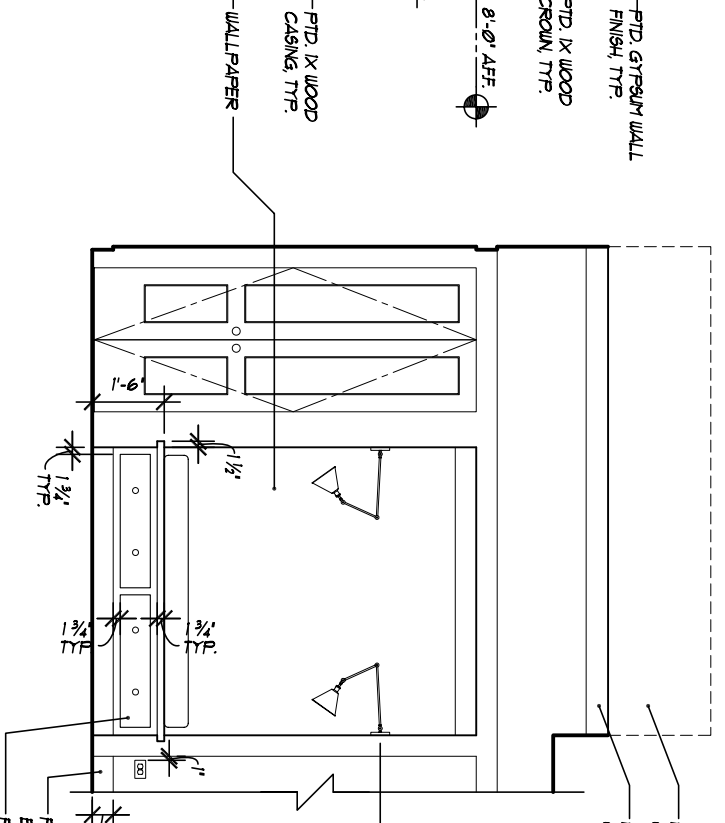
5 BEDROOM #1 SOUTH  
A5.4 1/4"=1'-0"



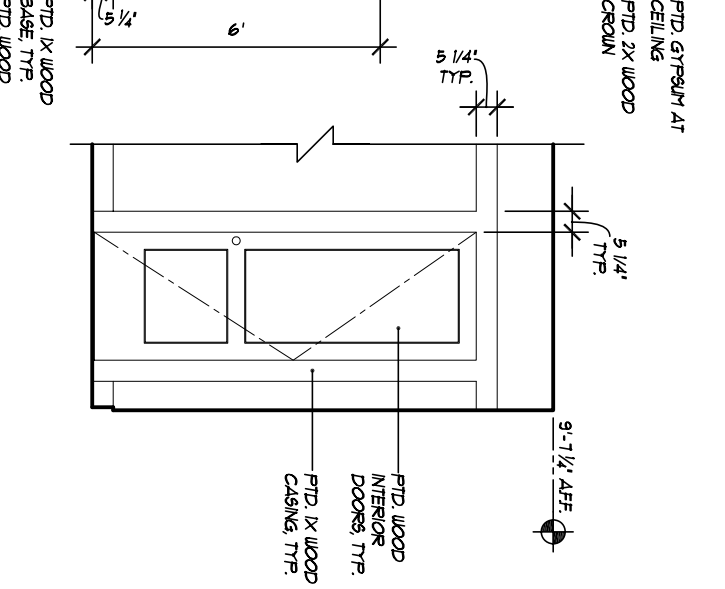
4 BEDROOM #1 SOUTHWEST  
A5.4 1/4"=1'-0"



3 BEDROOM #1 NORTHWEST  
A5.4 1/4"=1'-0"



2 BEDROOM #1 NORTHEAST  
A5.4 1/4"=1'-0"



1 BEDROOM #1 EAST  
A5.4 1/4"=1'-0"

These documents are the property of Wade Design. Any unauthorized use without written consent is prohibited by law. Wade Design disclaims responsibility for the documents if used in whole or in part at any other location.

**WADE DESIGN ARCHITECTS**

155 Frustuck Ave. Fairfax, CA 94930  
Phone: 415.785.4213 Fax: 415.785.4214  
info@wade-design.com

**HANSEL RESIDENCE**

473 Cahill Lane, Santa Rosa, California 95401

Drawn By: MD  
Checked By: JSD/LS  
Project No.: 08013  
Date: 10.13.10  
Issue FOR PERMITS ONLY

INTERIOR ELEVATIONS

SCALE: 1/4" = 1'-0"

**A5.4**