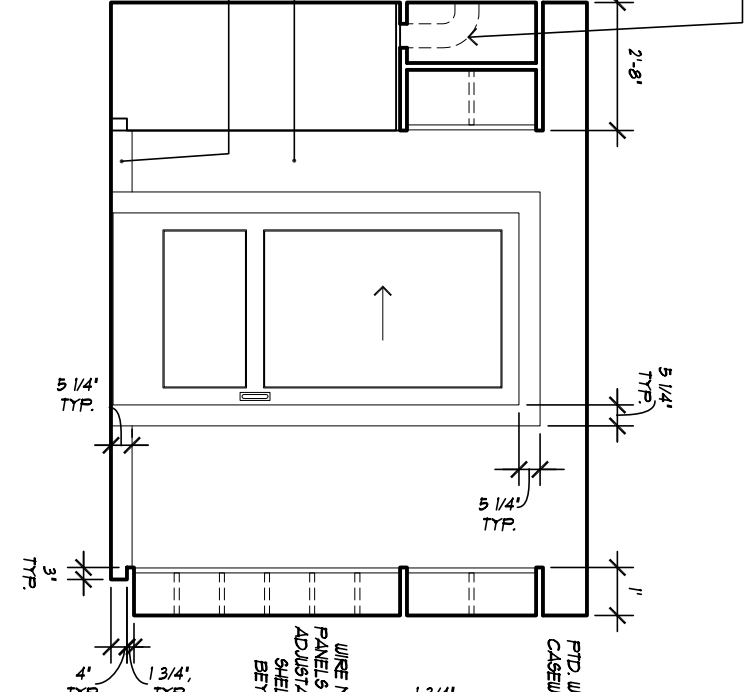
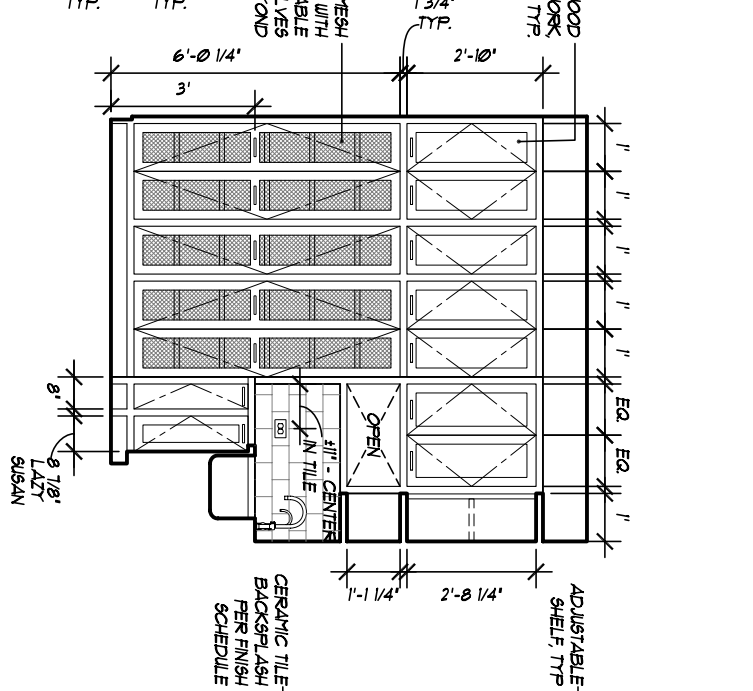


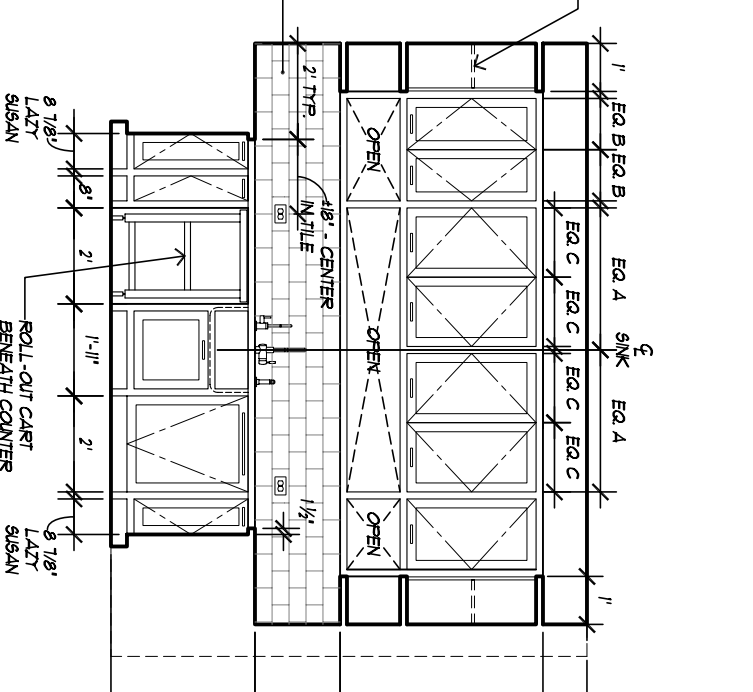
18 PANTRY EAST
451 / 1/4"=1'-0"



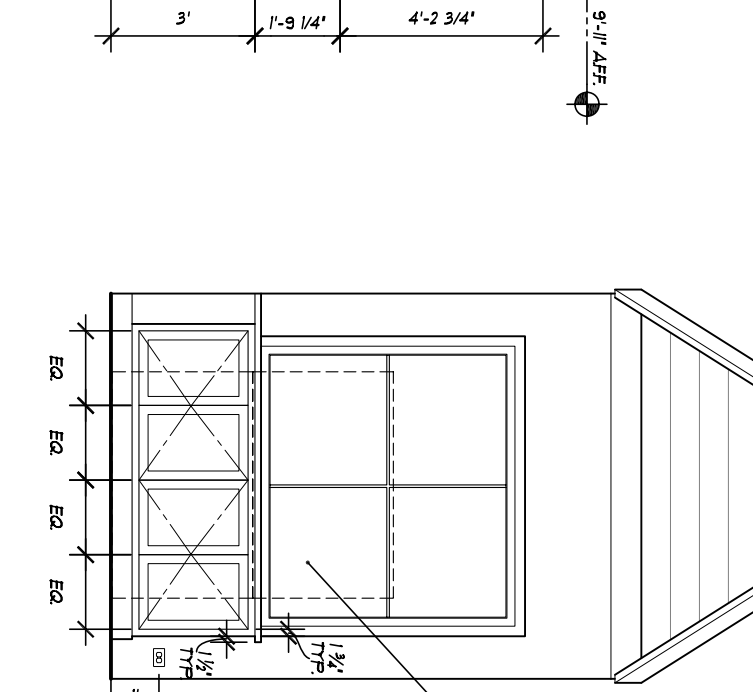
17 PANTRY SOUTH
451 / 1/4"=1'-0"



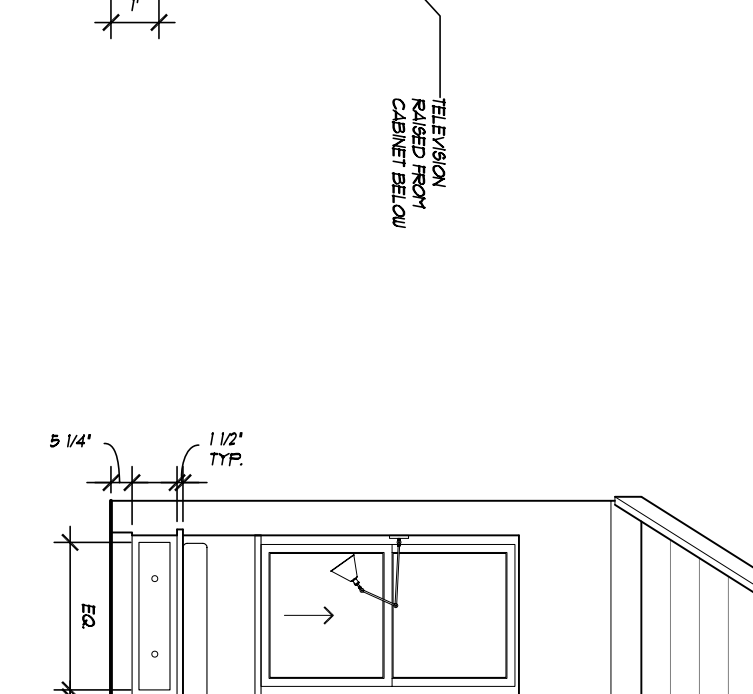
16 PANTRY WEST
451 / 1/4"=1'-0"



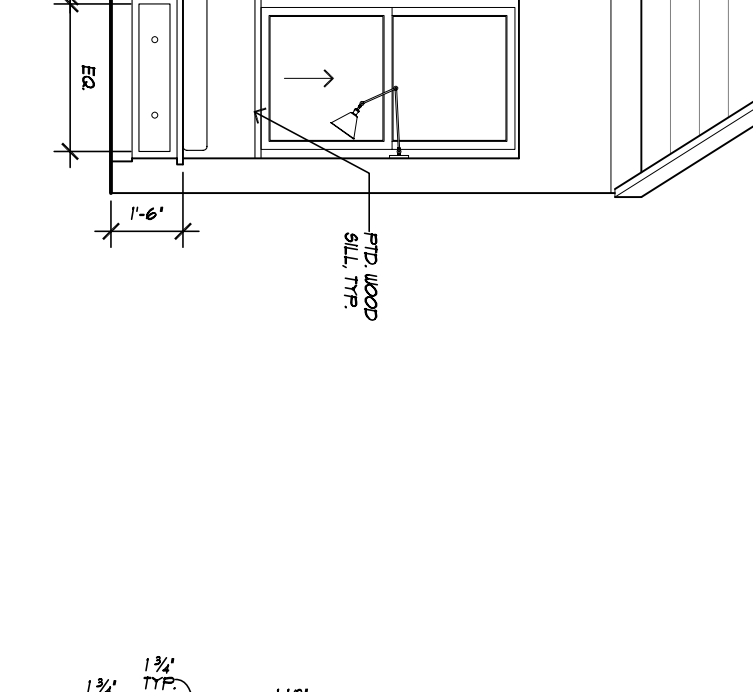
15 PANTRY NORTH
451 / 1/4"=1'-0"



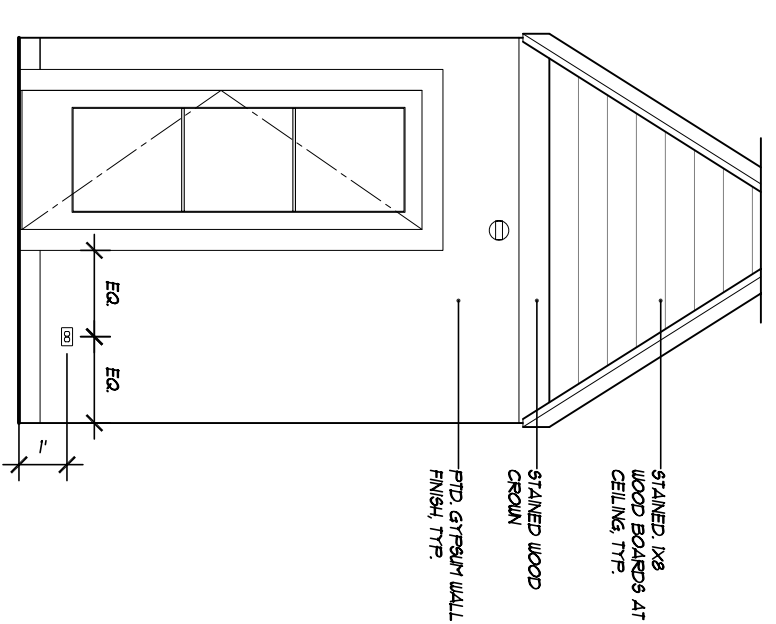
14 CLUB ROOM SOUTHEAST
451 / 1/4"=1'-0"



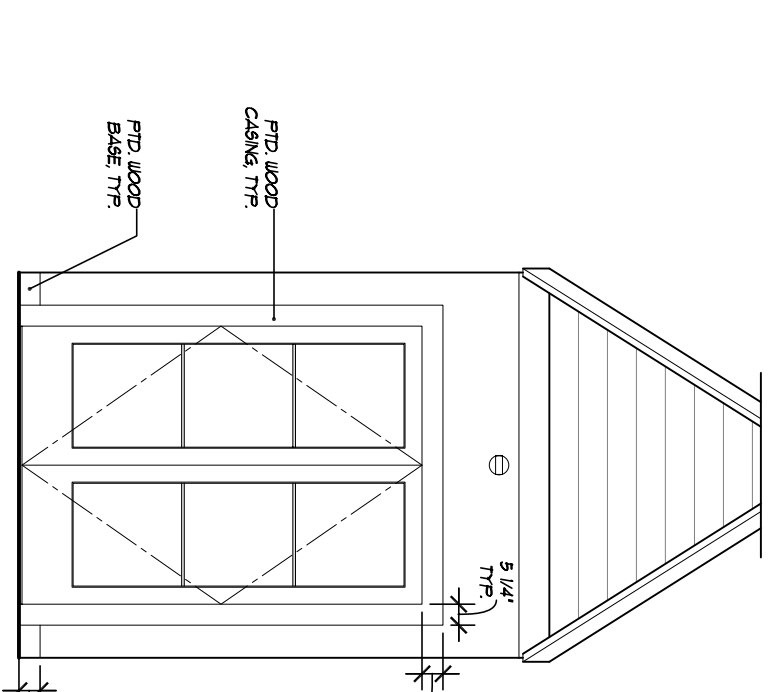
13 CLUB ROOM SOUTHWEST (NORTHEAST SIM)
451 / 1/4"=1'-0"



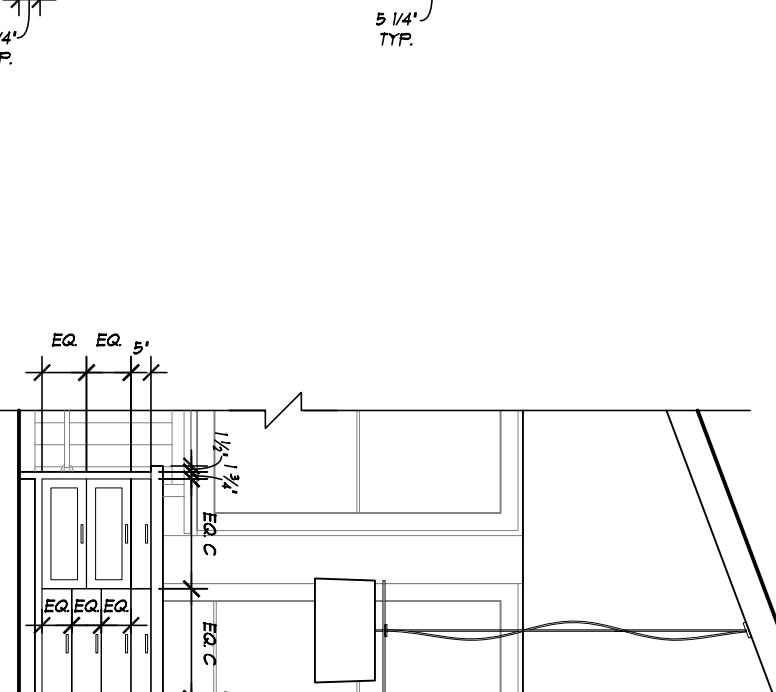
12 CLUB ROOM EAST
451 / 1/4"=1'-0"



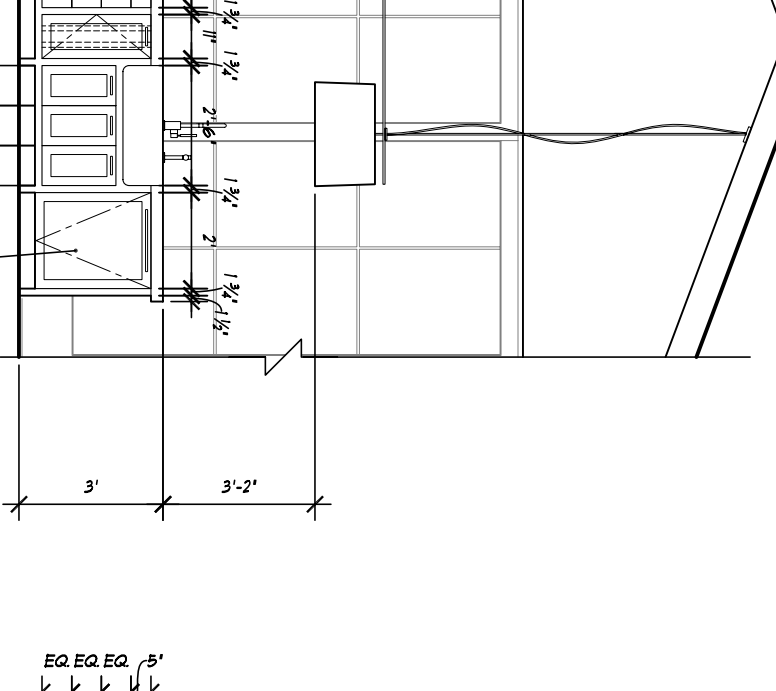
11 CLUB ROOM WEST
451 / 1/4"=1'-0"



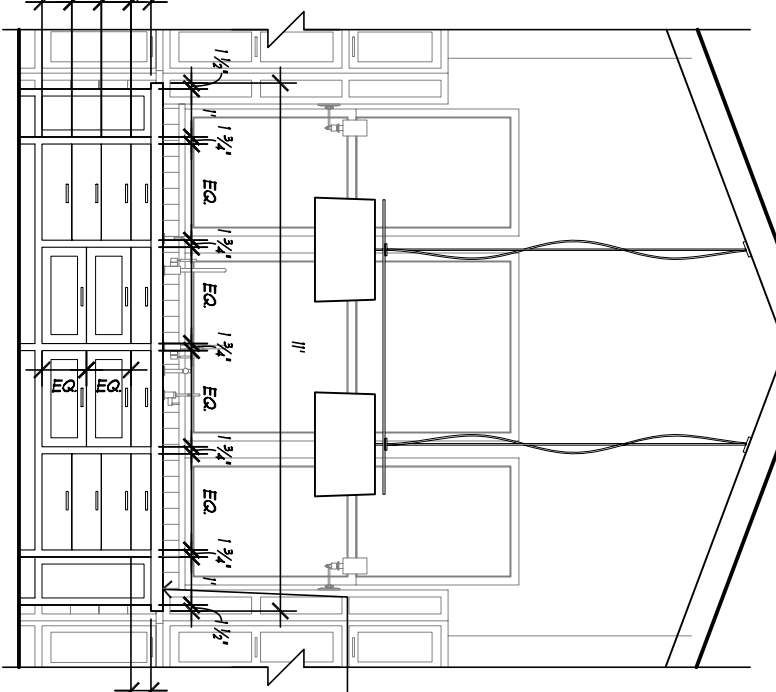
10 CLUB ROOM NORTH (SOUTH SIM)
451 / 1/4"=1'-0"



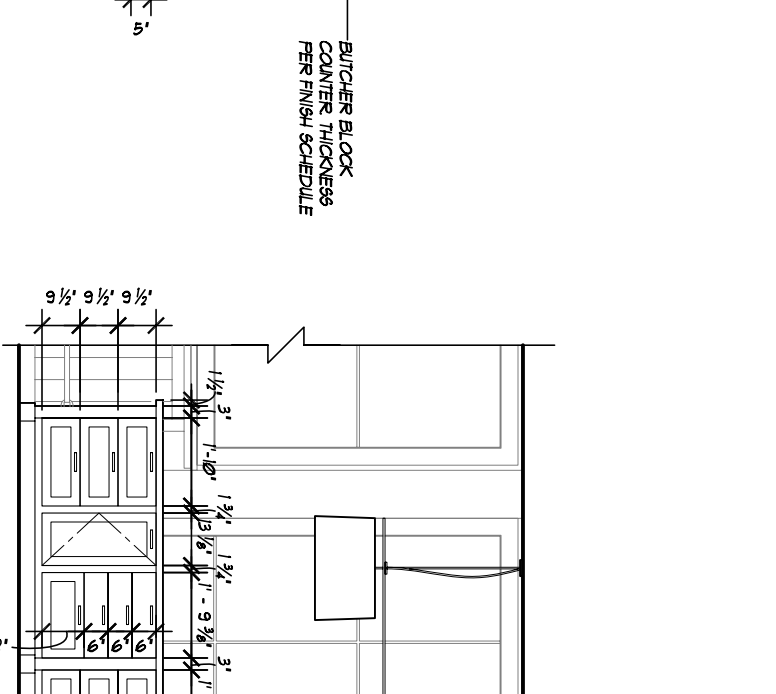
9 CENTER ISLAND EAST
451 / 1/4"=1'-0"



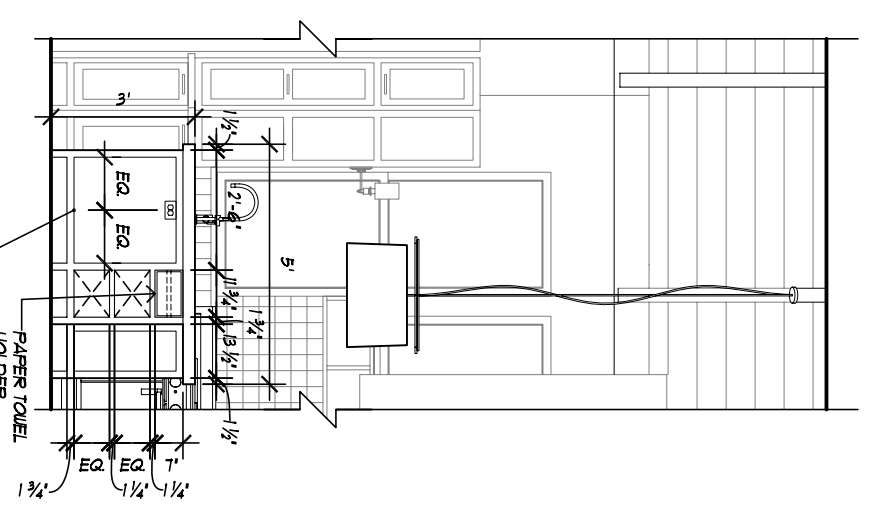
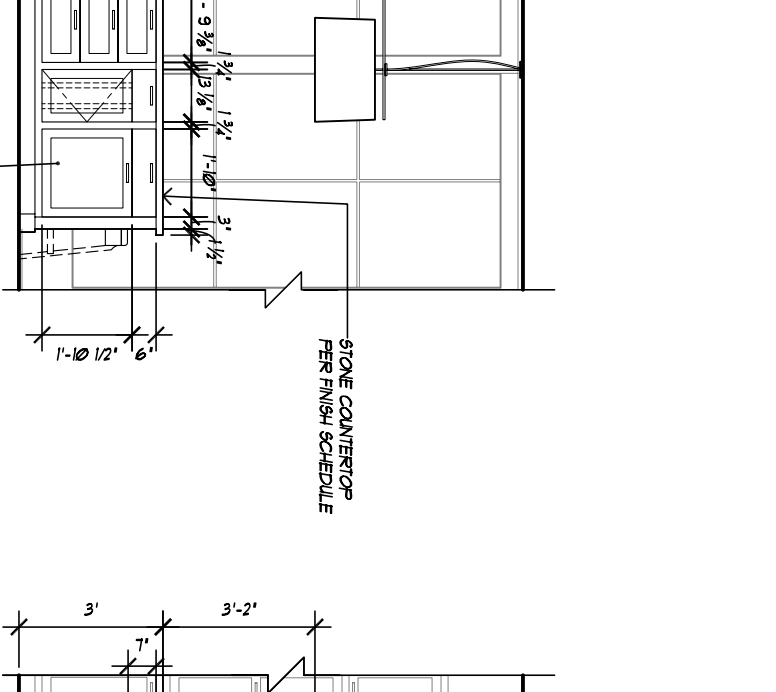
8 CENTER ISLAND WEST
451 / 1/4"=1'-0"



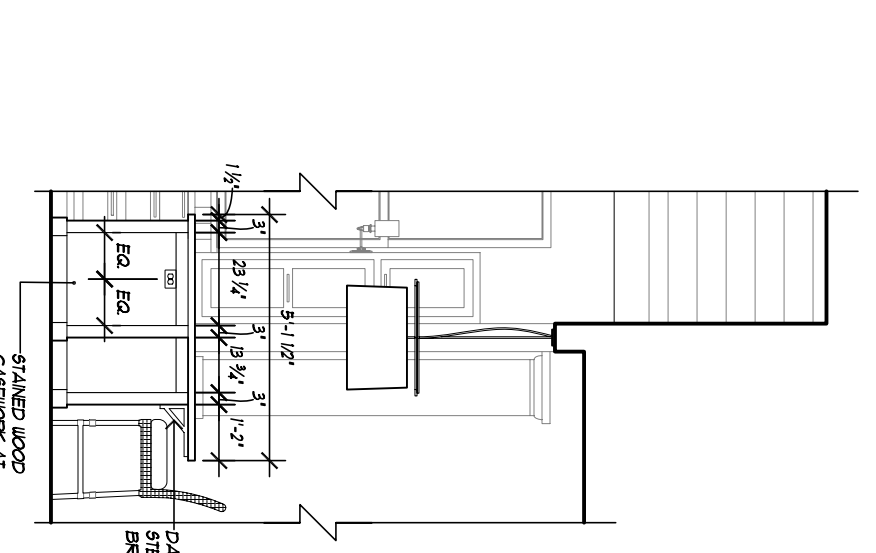
7 DINING ISLAND EAST
451 / 1/4"=1'-0"



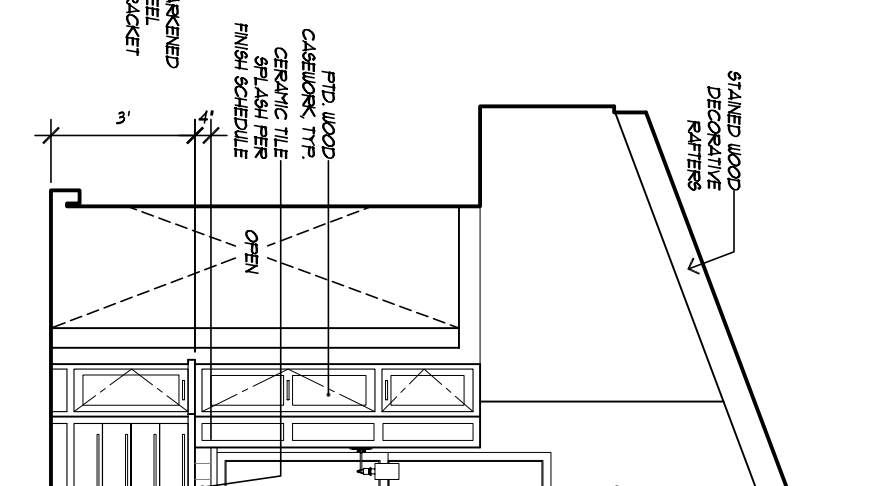
6 DINING ISLAND WEST
451 / 1/4"=1'-0"



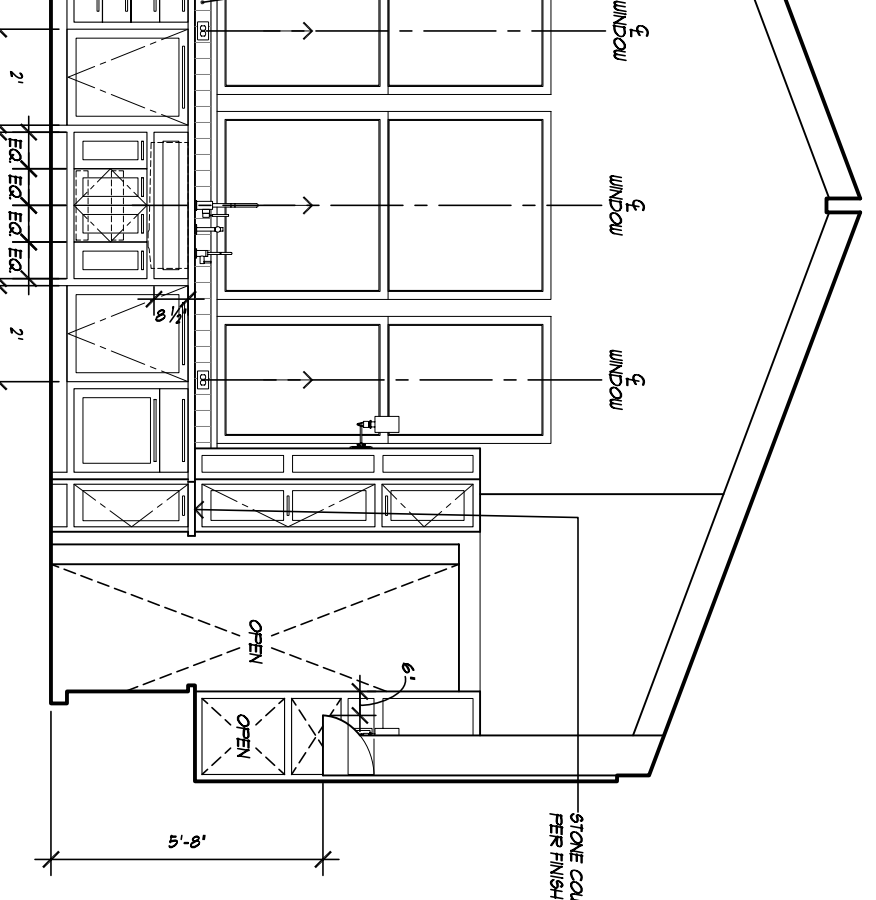
5 CENTER ISLAND NORTH
451 / 1/4"=1'-0"



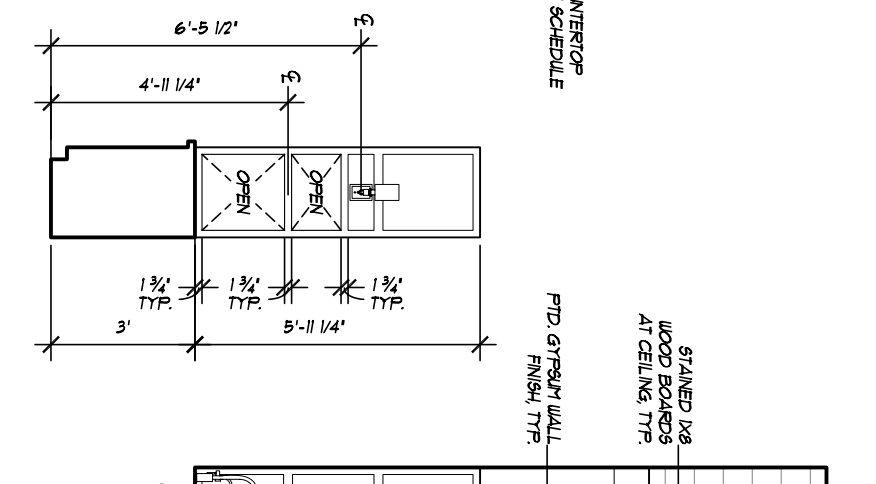
4 DINING ISLAND NORTH
451 / 1/4"=1'-0"



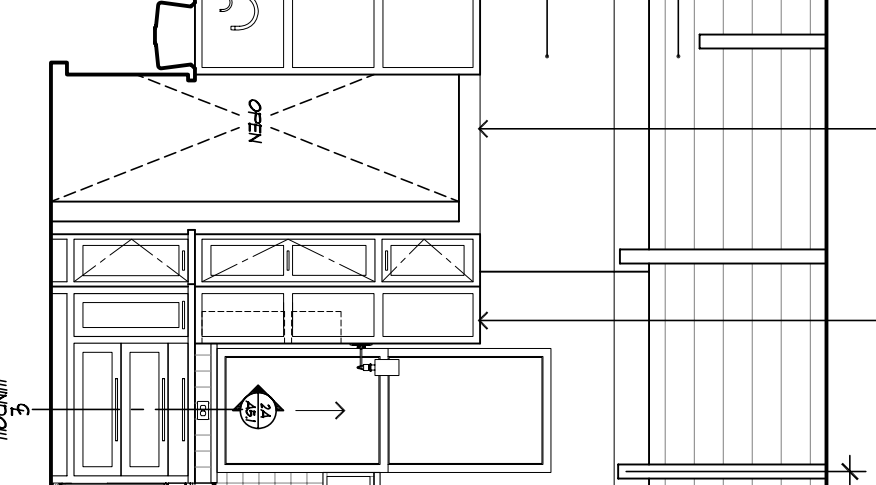
3 KITCHEN EAST
451 / 1/4"=1'-0"



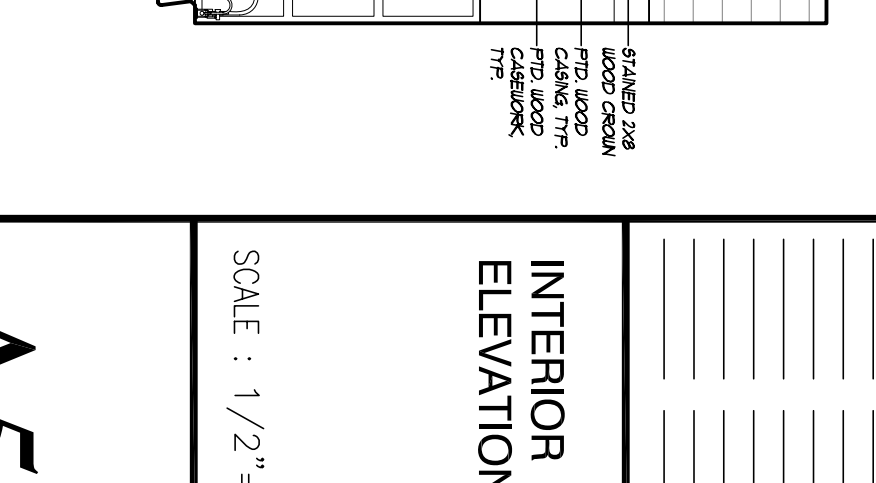
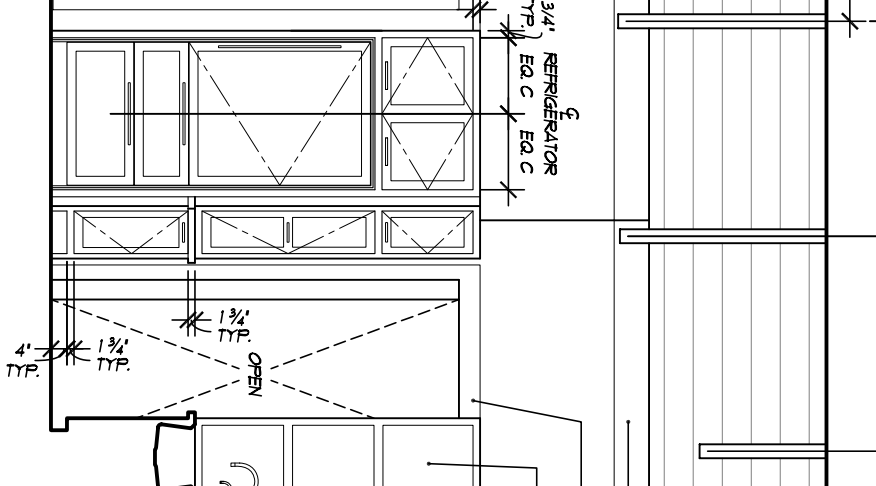
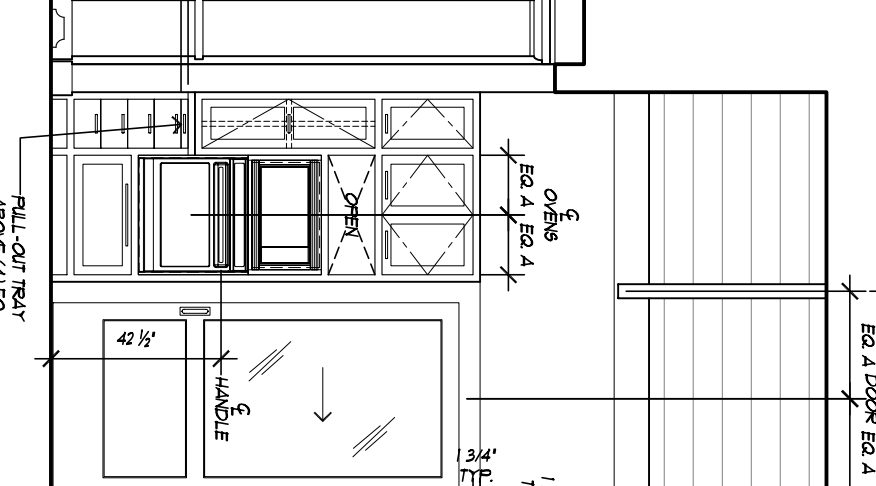
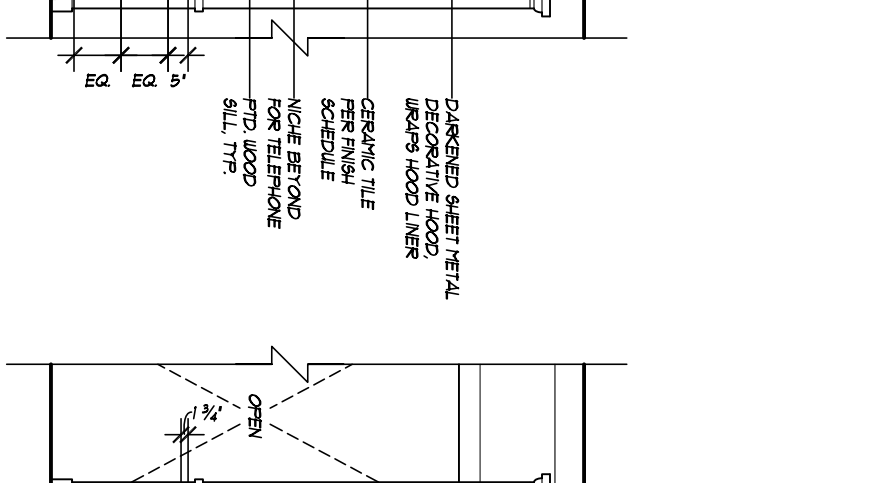
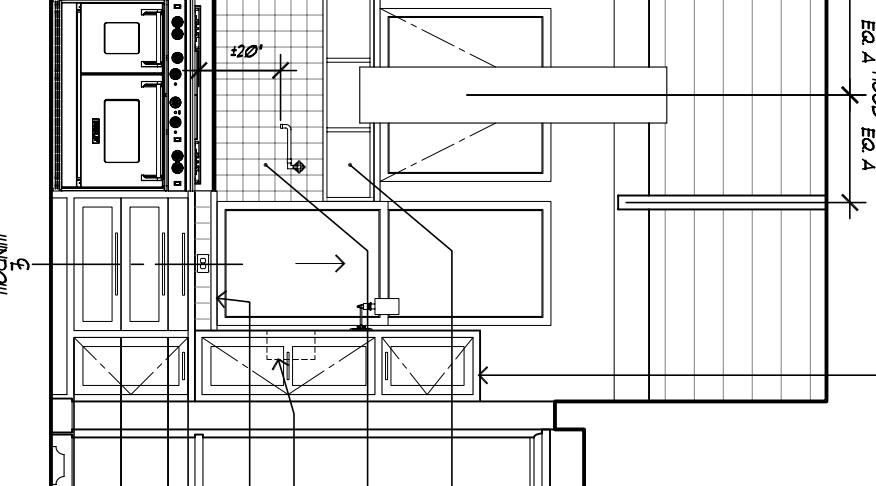
2A NICHE
451 / 1/4"=1'-0"



2 KITCHEN SOUTH
451 / 1/4"=1'-0"



1 KITCHEN NORTH
451 / 1/4"=1'-0"



1 KITCHEN NORTH
451 / 1/4"=1'-0"

WADE DESIGN ARCHITECTS
155 Frustuck Ave. Fairfax, CA 94930
Phone: 415.785.4213 Fax: 415.785.4214
info@wade-design.com

HANSEL RESIDENCE
473 Cahill Lane, Santa Rosa, California 95401

These documents are the property of Wade Design. Any unauthorized use without written consent is prohibited by law. Wade Design disclaims responsibility for the documents if used in whole or in part at any other location.

Drawn By: MD
Checked By: MD
Project No.: 28013
Date: 10.13.10
Issue FOR PERMITS ONLY

INTERIOR ELEVATIONS
SCALE: 1/2"=1'-0"

A5.1