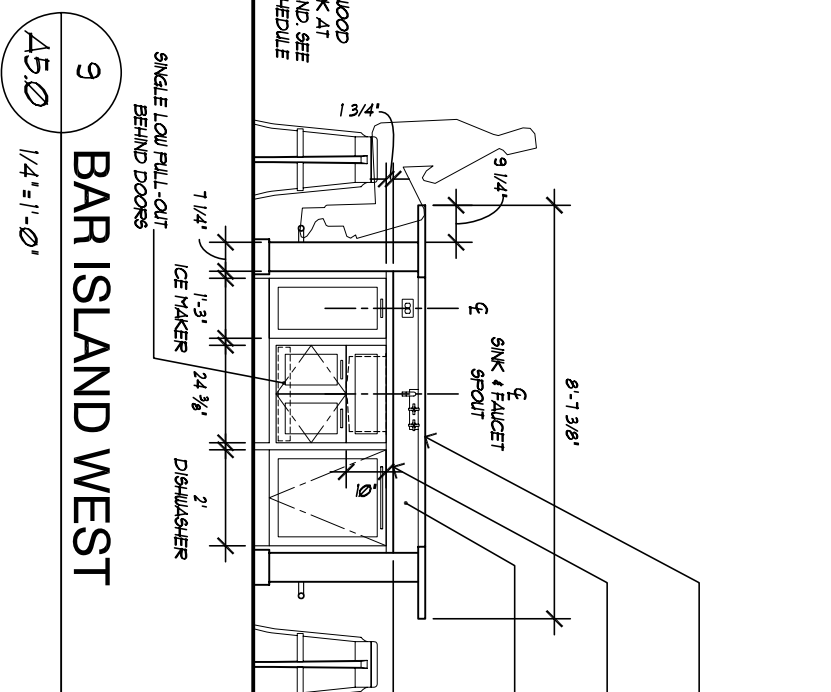
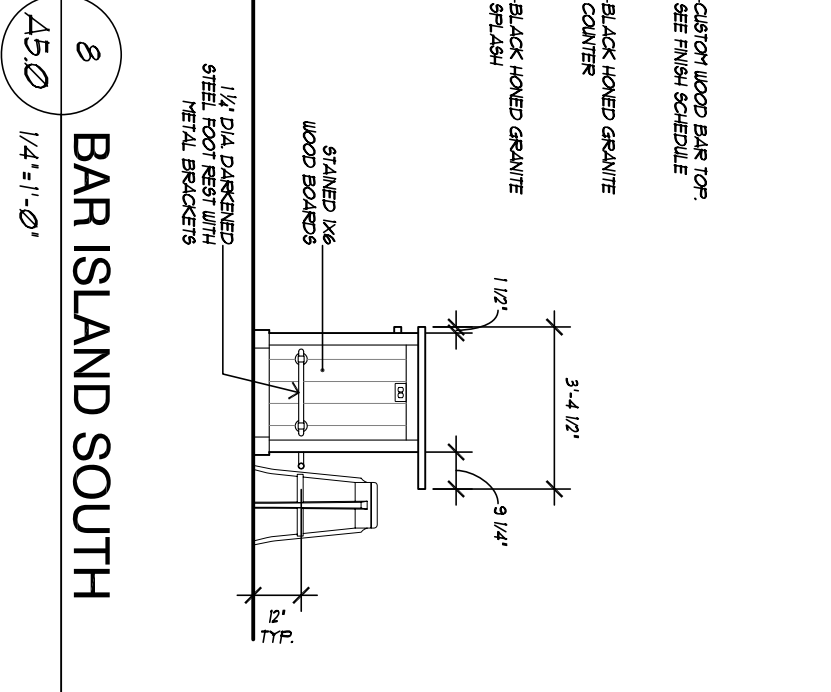


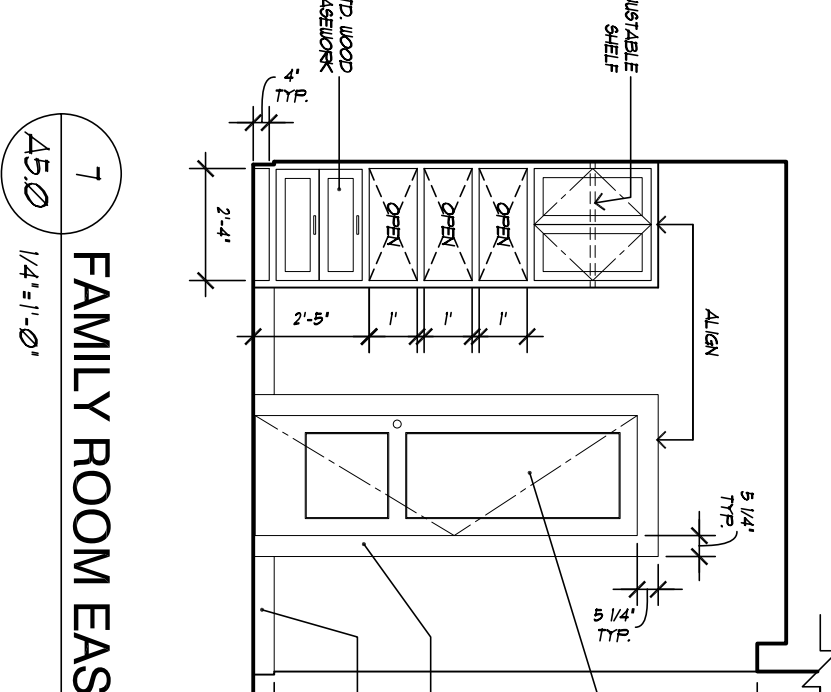
10 BAR ISLAND EAST  
A5.0 1/4" = 1'-0"



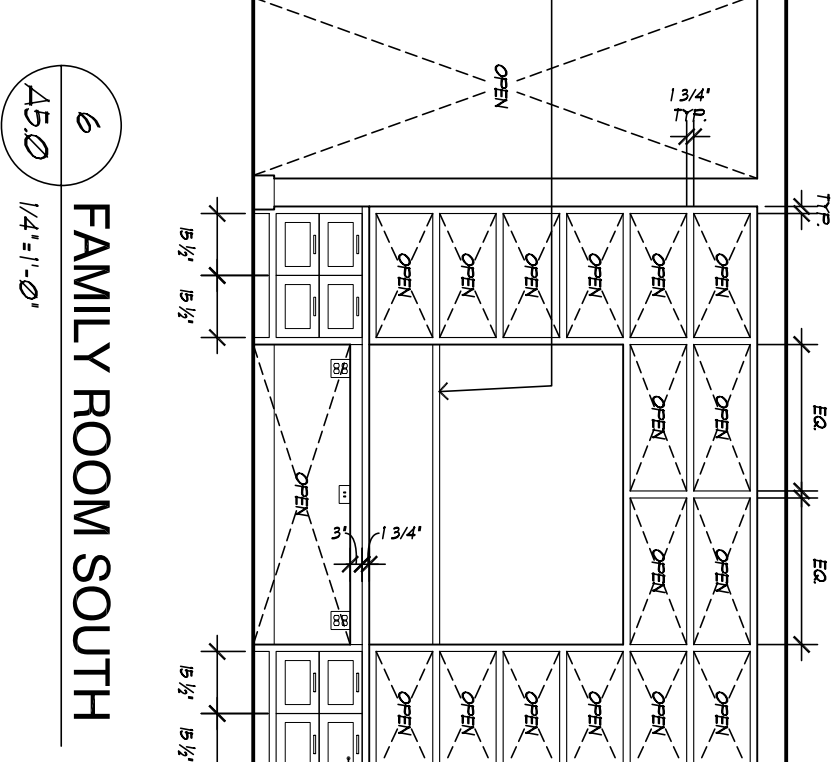
9 BAR ISLAND WEST  
A5.0 1/4" = 1'-0"



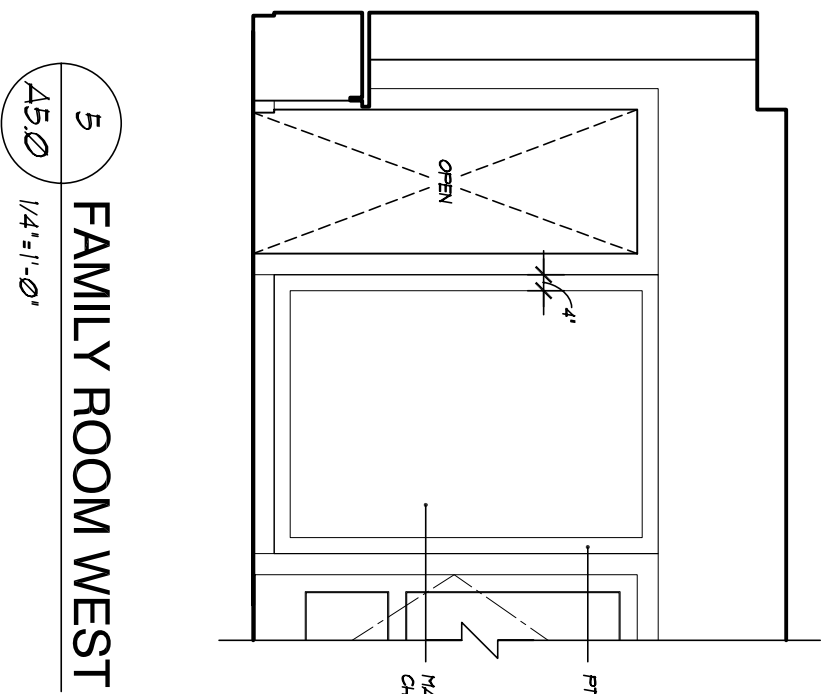
8 BAR ISLAND SOUTH  
A5.0 1/4" = 1'-0"



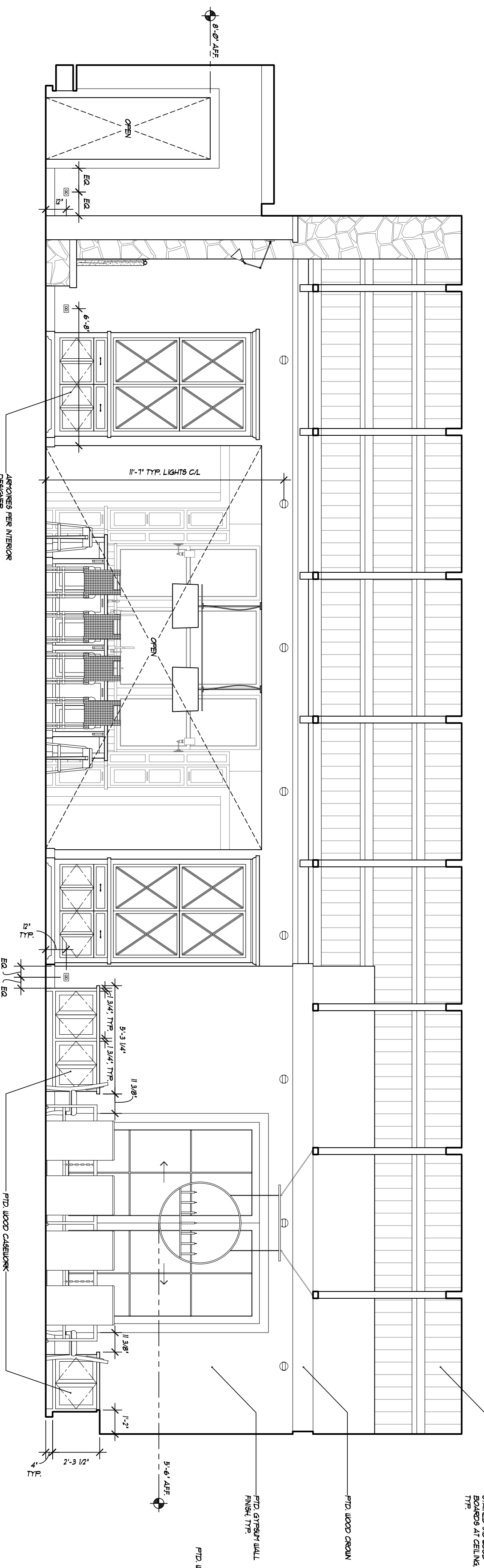
7 FAMILY ROOM EAST  
A5.0 1/4" = 1'-0"



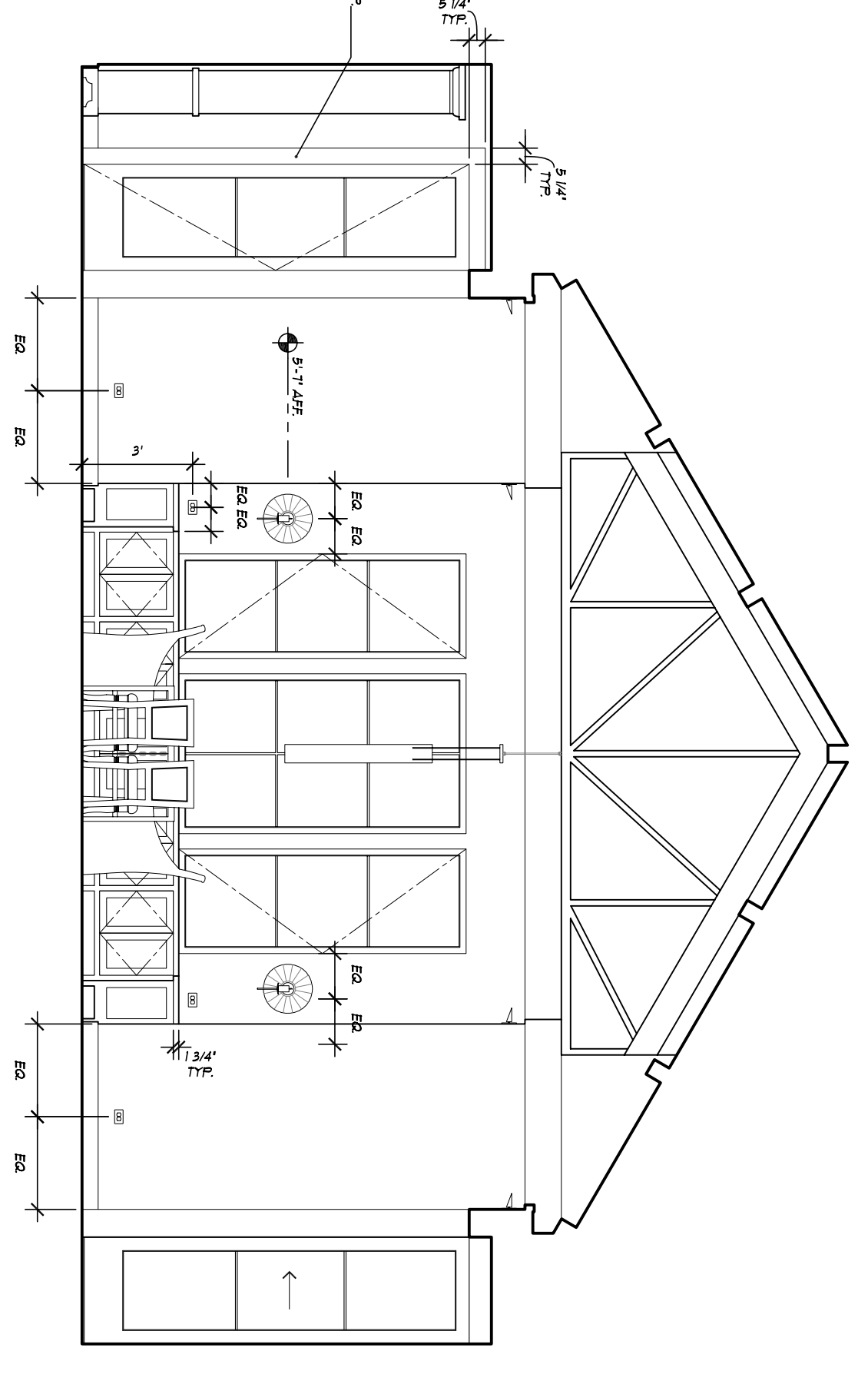
6 FAMILY ROOM SOUTH  
A5.0 1/4" = 1'-0"



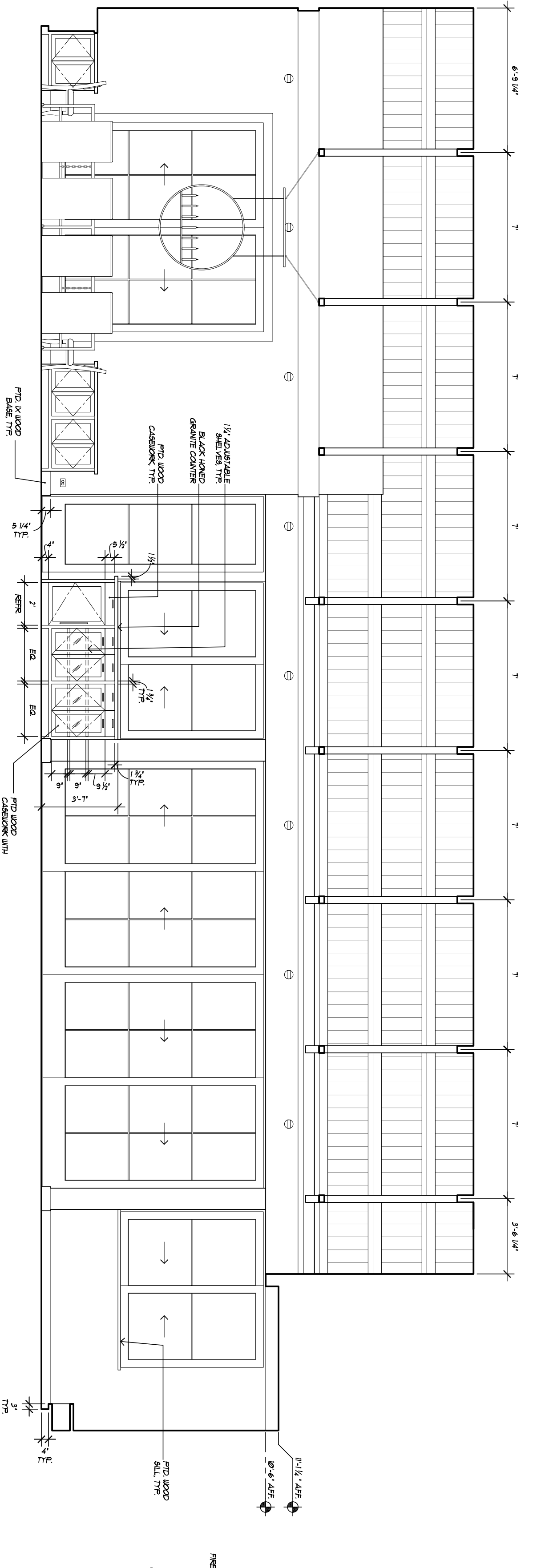
5 FAMILY ROOM WEST  
A5.0 1/4" = 1'-0"



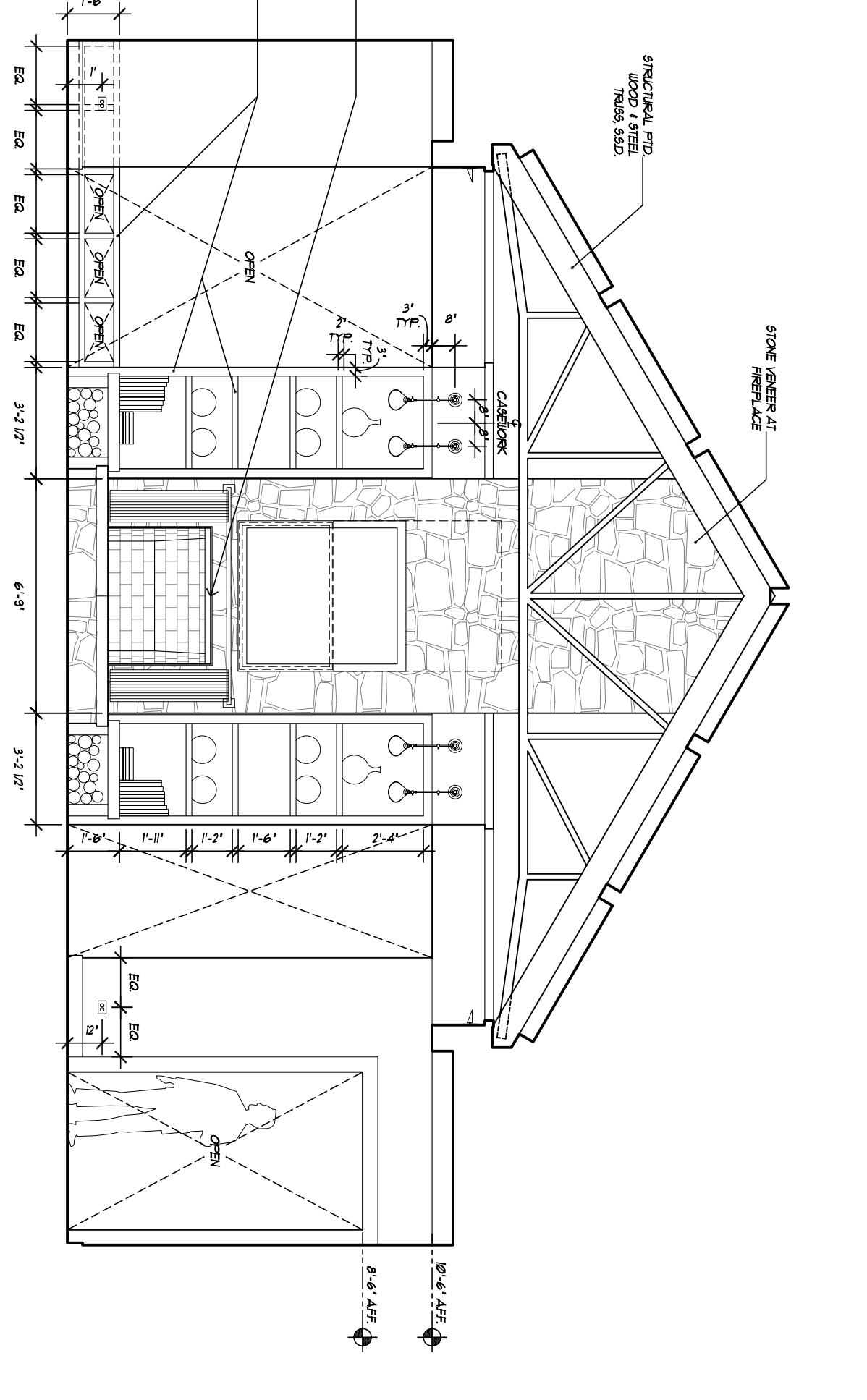
4 LIVING AND DINING EAST  
A5.0 1/4" = 1'-0"



3 DINING SOUTH  
A5.0 1/4" = 1'-0"



2 LIVING AND DINING WEST  
A5.0 1/4" = 1'-0"



1 LIVING NORTH  
A5.0 1/4" = 1'-0"

These documents are the property of Wade Design. Any unauthorized use without written consent is prohibited by law. Wade Design disclaims responsibility for the documents if used in whole or in part at any other location.

**WADE DESIGN ARCHITECTS**  
155 Frustuck Ave. Fairfax, CA 94930  
Phone: 415.785.4213 Fax: 415.785.4214  
info@wade-design.com

**HANSEL RESIDENCE**  
473 Cahill Lane, Santa Rosa, California 95401

Drawn By: MD  
Checked By: MD  
Project No.: 28013  
Date: 10.13.10  
Issue: FOR PERMING ONLY

INTERIOR ELEVATIONS  
SCALE: 1/4" = 1'-0"

**A5.0**